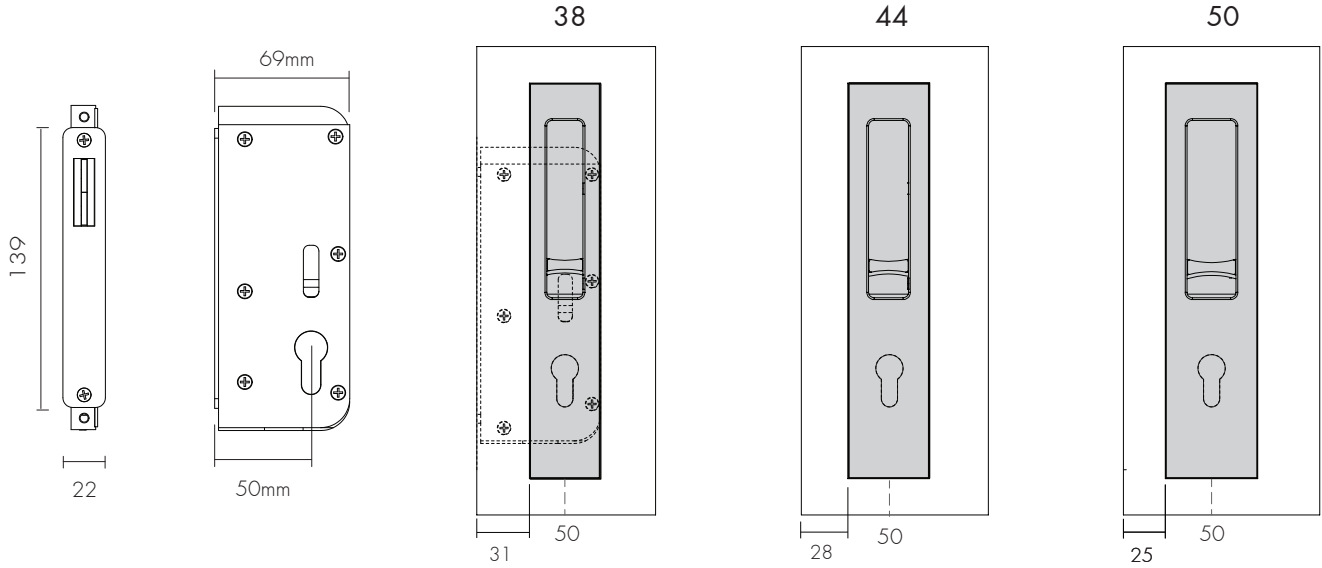


5 Pin VS Euro Locking Backset Technical - Australian Fabricator

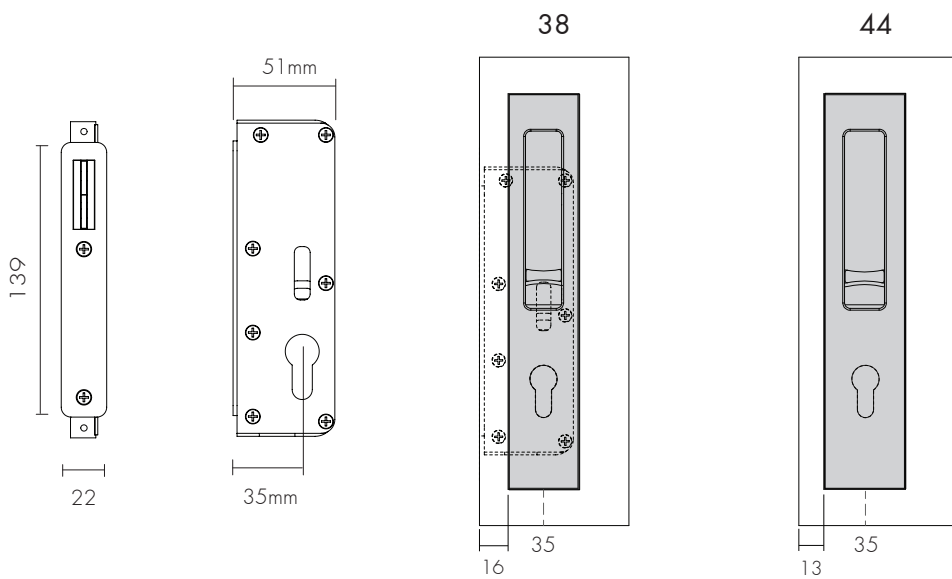
1961 - 1971 - CI / IO

There is no flexible adjustment of the backset with these products due to the fixed position of the Euro Cylinder. Machining of the glazing channel and custom glass may be required to install these products.

50 Back set (50BS - C - AD803)



35 Back set (35BS - B - AD749)



Not to scale

