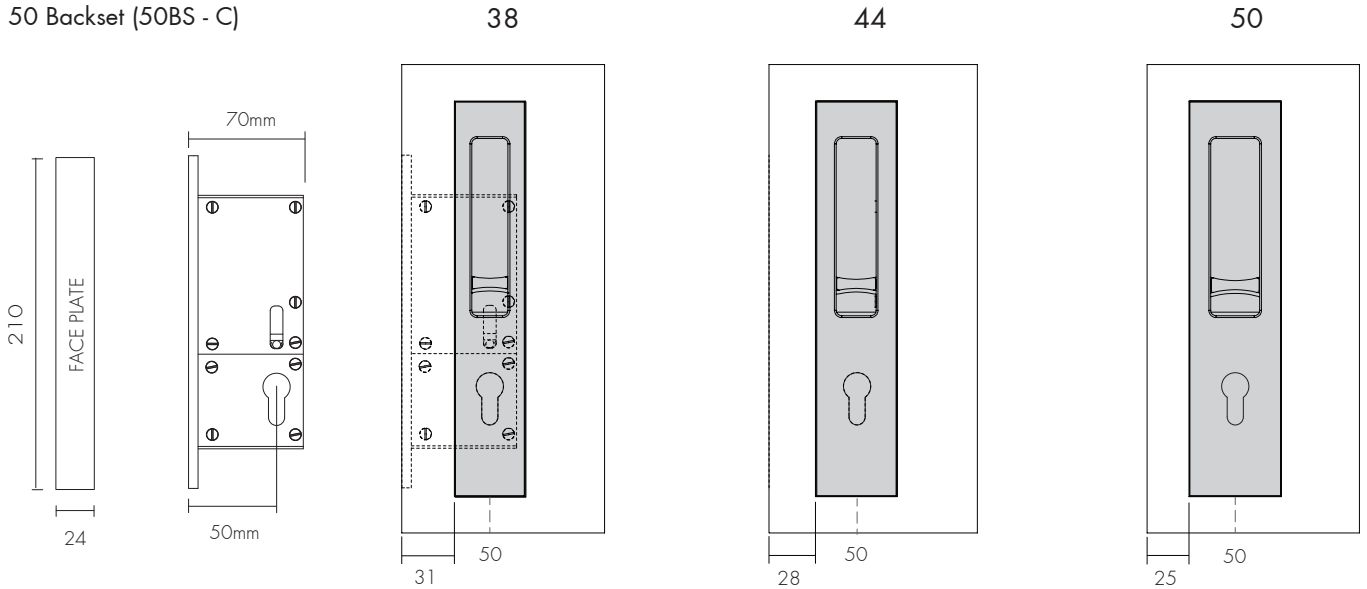


VS Euro Locking Backset Technical - Aluminium NZ

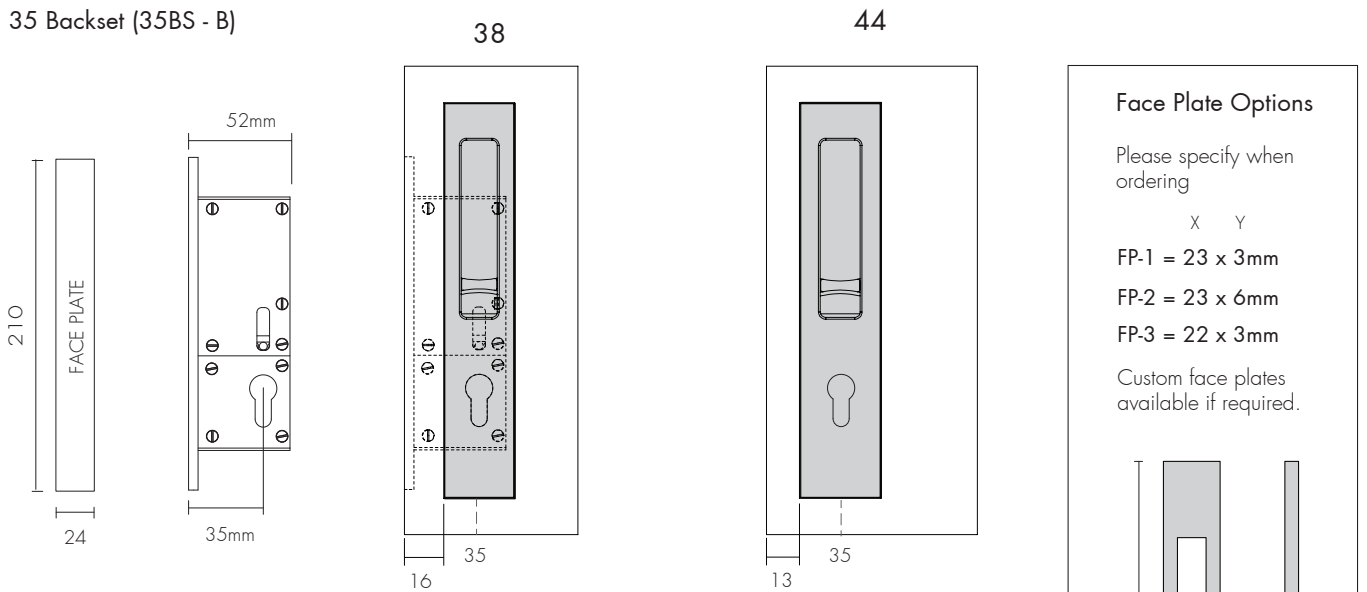
1961 - 1971 - CI / IO

There is no flexible adjustment of the back set with these products due to the fixed position of the Euro Cylinder.

50 Backset (50BS - C)



35 Backset (35BS - B)



Face Plate Options

Please specify when ordering

X Y

FP-1 = 23 x 3mm

FP-2 = 23 x 6mm

FP-3 = 22 x 3mm

Custom face plates available if required.

