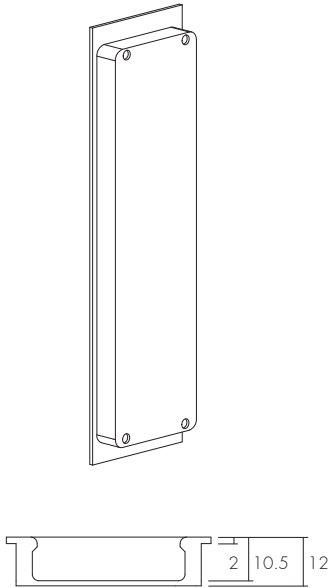


SDC Flush Pulls | Fixing Information

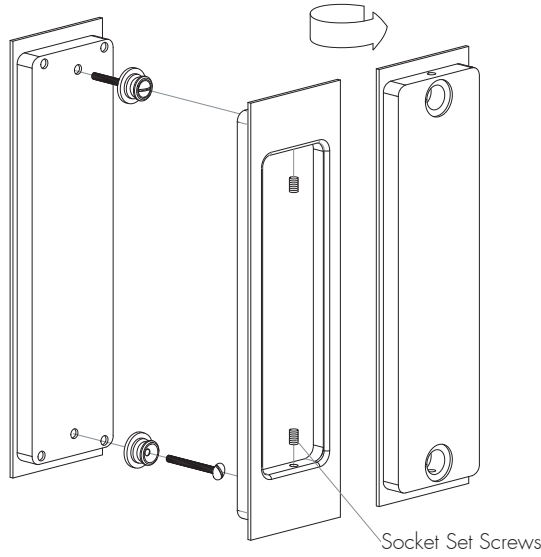
Min. door thickness 2 - 1/4" if the Flush Pulls are flush to the door surface.
 Min. door thickness 2" if the Flush Pull Flange is on the door surface.

One Piece Construction



Machined from billet or casting, suitable for weathered finishes brass type finishes only

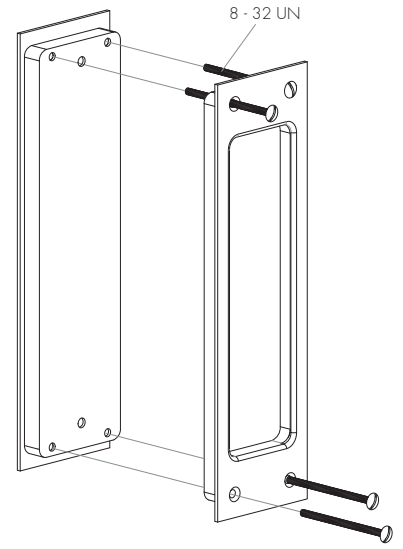
Semi Concealed Fixing



Semi-concealed fixing with mouting collars to fasten the outside flush pull to the door and then the inside flush pull to the mounting collars. Ref. 6600, 6601

Internal products can be surface fixed as singles with wood screws. Specify as B fix

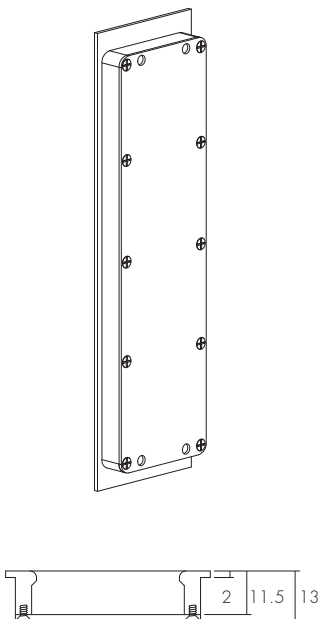
Visible Fixing



Visible fixed with 8/32 UNC counter-sunk machine screws into the opposing flush pull when mounted as a back to back pair. Ref 6600, 6605

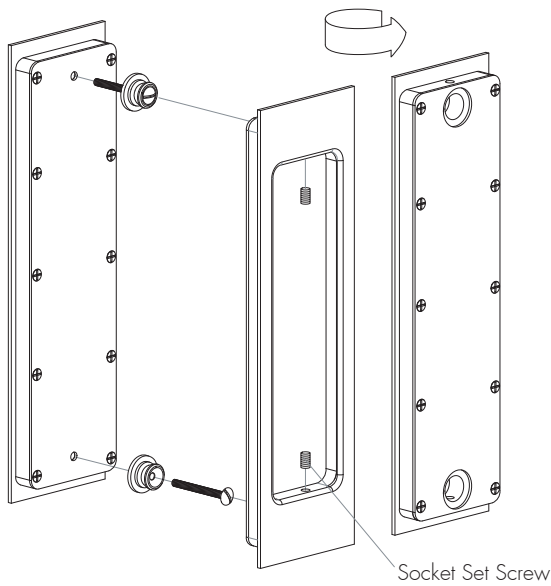
Internal products can be surface fixed as singles with wood screws. Specify as B fix.

Two Piece Construction



Suitable for polished, satin (brushed) and electroplated finishes

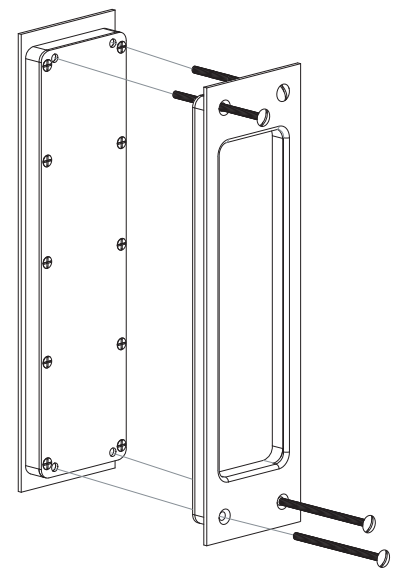
Semi Concealed Fixing



Semi-concealed fixing with mouting collars to fasten the outside flush pull to the door and then the inside flush pull to the mounting collars. Ref. 6602, 6603

Internal products can be surface fixed as singles with wood screws. Specify as B fix

Visible Fixing



Visible fixed with 8/32 UNC counter-sunk machine screws into the opposing flush pull when mounted as a back to back pair. Ref 6600, 6605

Internal products can be surface fixed as singles with wood screws. Specify as B fix.