

SDC Strike

Sliding Door Adjustable Strike with Edge Pull

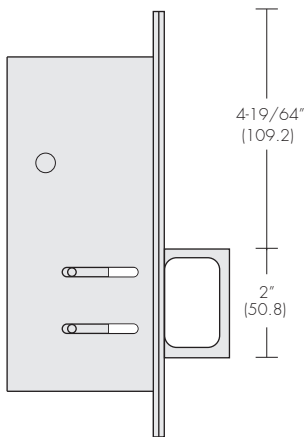
Used in conjunction with the Sliding Door Compression Locks on double doors.

The Adjustable Strike projection allows it to be positioned so that the bolt claws of the compression lock engage freely into the strike, with minimal clearance. This allows the bolt in the compression lock to retract to compress the weather seals.

The Edge Pull is released by a push of the button below it.

The strike is adjusted by a 3/16" hex allen key inserted through the hole in the dust plate in the middle of the strike.

The case is made of brass, with brass and 316 grade stainless steel components. Internal springs are 304 grade stainless steel for the best service life.



Dimensions

Model:	Case depth:
	Y
6530	3" (76.2)