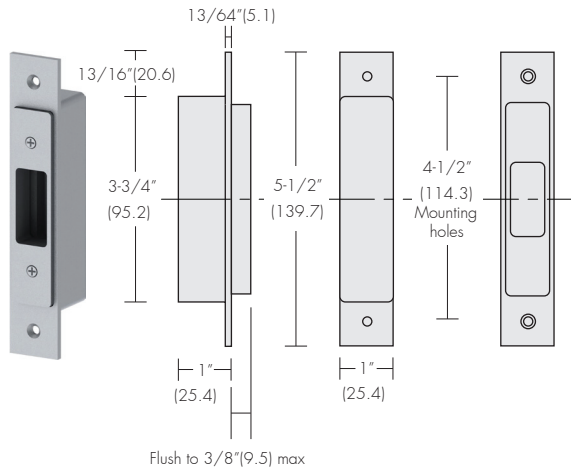


6540



SDAJ Strike

Sliding Door Adjustable Jamb Strike

Used in single sliding door applications when the strike is installed in a jamb, or double sliding door application, where the doors are non-pocketing, and there is no need for an Edge Pull.

The strike is adjusted in and out by two Phillips Screws above and below the strike opening.

The case is made of brass, with brass and 316 grade stainless steel components. Internal springs are 304 grade stainless steel for the best service life.