

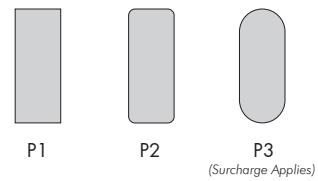
## Edge Pulls

Designed to be fitted to the edge of pocket sliding doors or to the face of swinging doors. Edge pulls are 24mm wide to match chant lock faceplate widths.

### Ordering

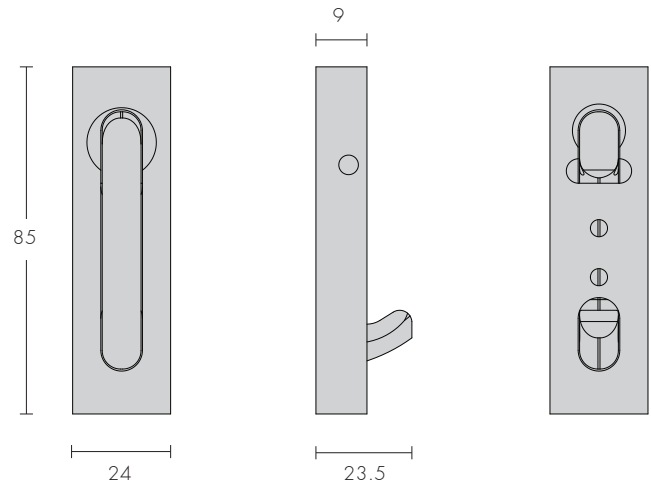
- 1 Select product required e.g 1501
- 2 Specify profile shape on order form P1 - P3. Code becomes 1501 (P1)

### Profile Options



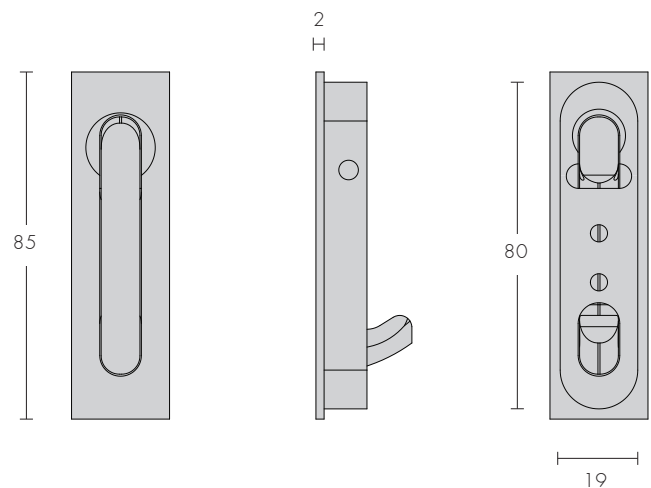
### 1501

- Flush fitted
- Concealed mounting



### 1501 - R

- Flange fitted
- Concealed mounting



### 1501 - S

- Flange fitted
- Visible fix mounting
- Suit timber / aluminum / steel

