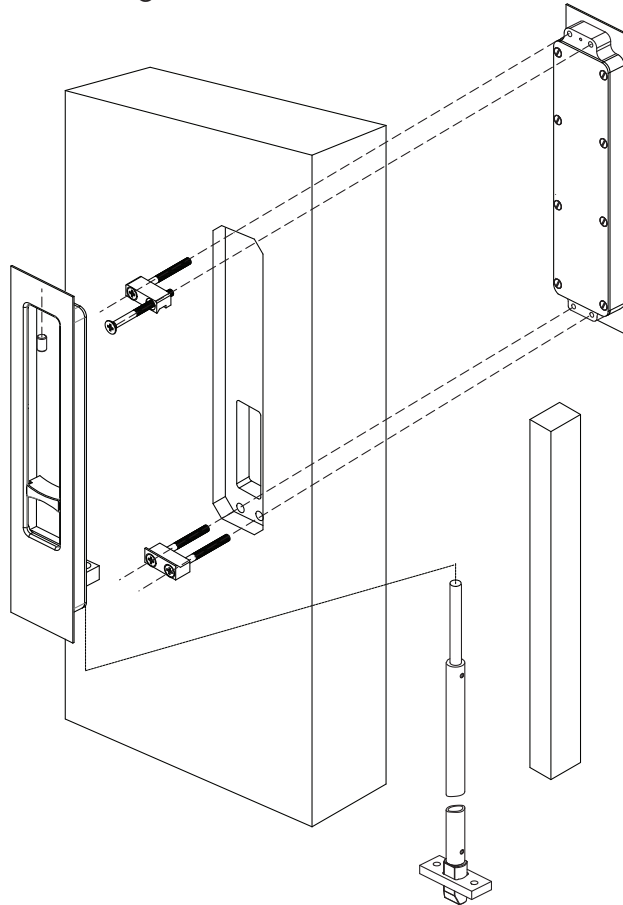


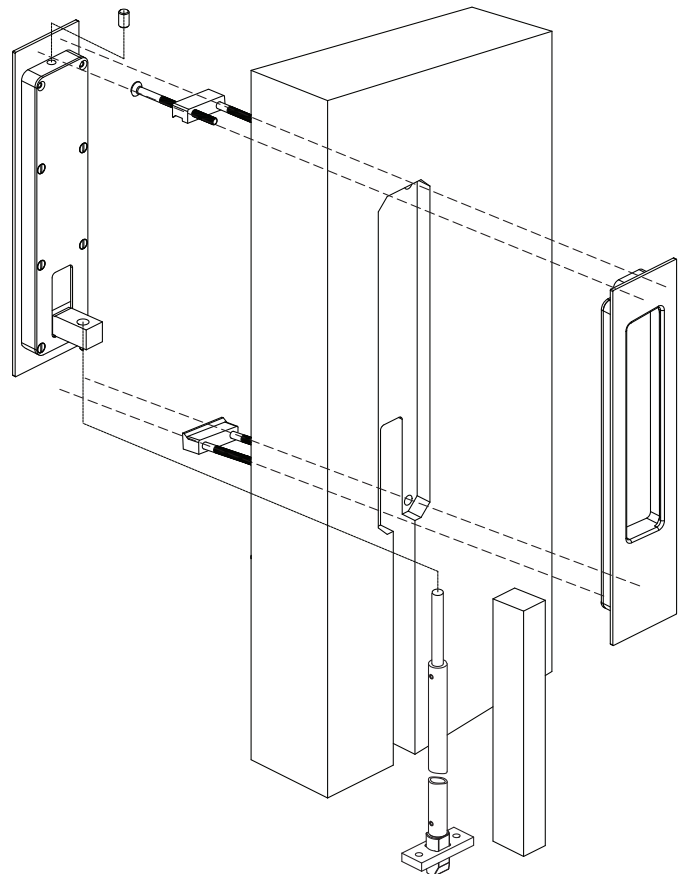
Exploded view of prepared recesses and install Flush Pull Bolt - Locking

Internal view



For painted timber doors the rod recess channel is machined into the door surface. Once the rod channel is created a timber insert must be packed into the cavity (leaving the rod channel clear) and the door must be refinished for painting.

External view



Product information

Products are typically positioned with the product centreline at 1000mm from the floor.

The locking rod can be installed dropping to the floor or rising into the head of the door. Consider the track system of sliding door when specifying these products.

Rod kits are supplied to the required length and are manufactured from M8 SS rod or in aluminium tube for extended lengths over 1000mm.

Timber door products require a guide plate positioned where the rod tip exits the door 4306 sold separately.

Flat, water proof strikes and dust sockets are sold separately against the particular requirements of the doors

Bolt tip dimensions

