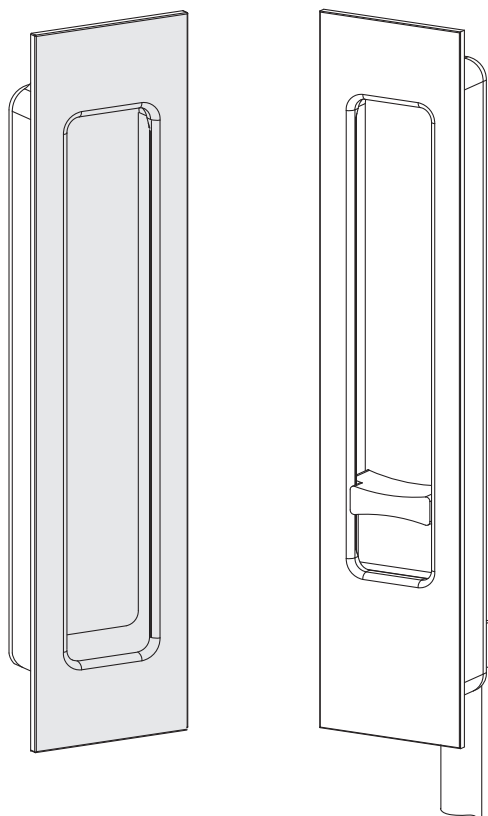


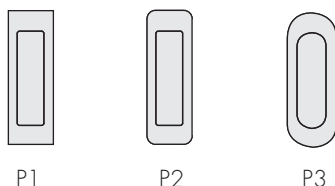
VS Locking Flush Pull Bolt - Long Opening

The VS Locking Flush Pull Bolt products are designed to provide flush locking systems for sliding doors but without the use of a mortised type lock. The slide mechanism operates a rod which runs to the floor or the head of the door and locks into the track system. The 'Long Opening' (L) model has a pocket that matches other 'L' type products in the flush pull range.

Because these products operate without a lock they can be installed onto doors a minimum of 35mm thick. A machined trench is required for timber door installation, refer to the timber technical for information. This is not required for aluminium and steel joinery installation.



These products are available with a range of outer profile options.



Ordering

- 1 - Select Flush Pull Bolt, e.g 2361-L-3
- 2 - Specify outer profile shape P1 - P3. Code becomes 2361-L-3 (P1)
- 3 - Always specify door thickness and Y / Z measurement when ordering
- 4 - Use Chant order forms where possible

Refer to the 'Technical' PDF's for information on the flush pull dimensions and fixing detail.

20mm Throw

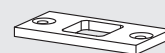
Length	38 (wide)	44	50
200	2361-L - 3	2361-L - 4	2361-L - 5
250	2371-L - 3	2371-L - 4	2371-L - 5
300	2381-L - 3	2381-L - 4	2381-L - 5

40mm Throw

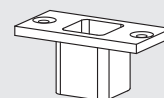
Length	38 (wide)	44	50
250	2379-L - 3	2379-L - 4	2379-L - 5
300	2389-L - 3	2389-L - 4	2389-L - 5

Sliding Door Strikes (sold separately)

Flat and water proof strikes are available. These are designed to restrict movement of the bolt and door in the correct direction. Dust sockets are also available.

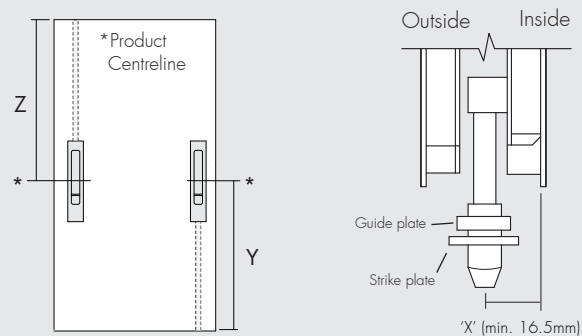


Flat strike 2191



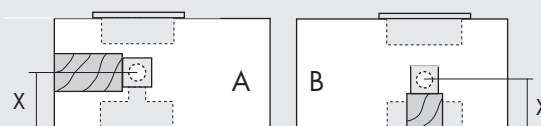
Water proof strike 2194

Remote bolt - Specify Y/Z + measurement



Timber Door Preparation

Option A: Trenched from the edge and back-filled with an insert. Do not trench the full length of the door.



Option B: Trenched from the front face and back-filled with an insert. Do not trench the full length of the door.