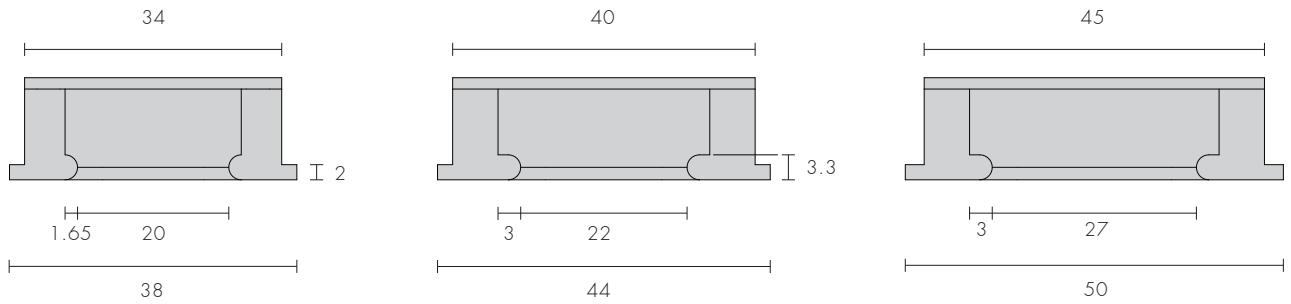
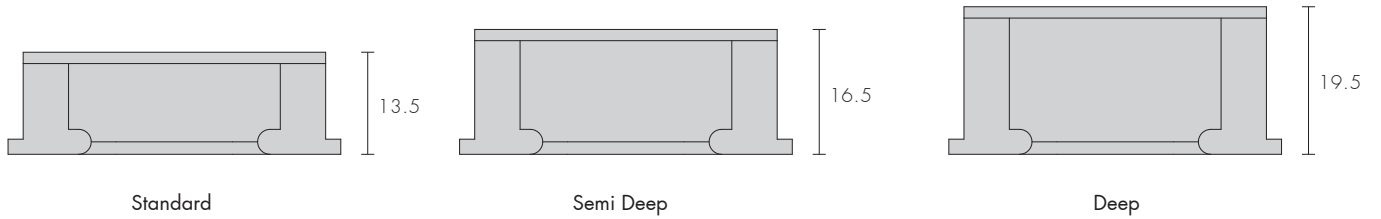


# Flush Pull - Dimensions

## Flush Pull - Dimensions



## Flush Pull - Depths



## Flush Pull - Offset

