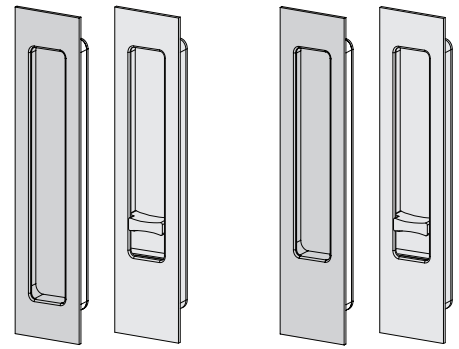
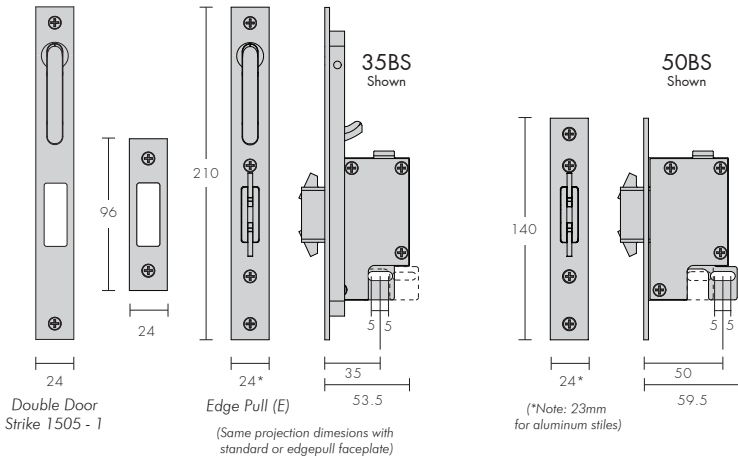


Flush Pull - Locking - 35 & 50BS

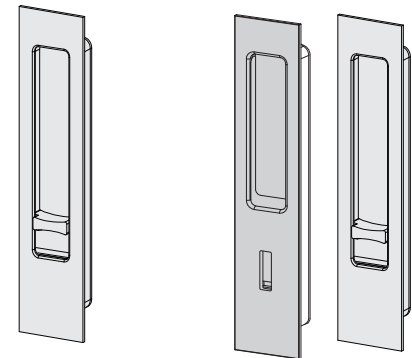
This product has been designed to provide a contemporary flush locking system for sliding doors.

- Minimum door thickness 38mm
- Concealed Fixing
- Solid brass construction
- Adjustable 30 - 55 backset lock



Long Opening
"L"

Short Opening
"S"



Inside Only
"IO"

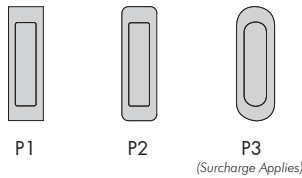
Privacy
"P"

Allowing for access in emergency situations

Ordering

- 1 Select product e.g 1861 - L - 3
- 2 Specify profile on order form P1 - P3. Code becomes 1861 - L - 3 (P1)
- 3 Specify backset 35 or 50 on order form. Code becomes 1861 - L - 3 (P1) - 35

Profile Options



Product Accessories

Visit the **Product Accessories** for available options

Refer to the 'Technical' PDF's for information on the flush pull dimensions and fixing detail.

Long Opening

	Width	38	44
Length	200	1861 - L - 3	1861 - L - 4
	200 (E)	1861 - L - 3E	1861 - L - 4E
Length	250	1871 - L - 3	1871 - L - 4
	250 (E)	1871 - L - 3E	1871 - L - 4E
Length	300	1881 - L - 3	1881 - L - 4
	300 (E)	1881 - L - 3E	1881 - L - 4E

Short Opening

	Width	38	44
Length	200	1861 - S - 3	1861 - S - 4
	200 (E)	1861 - S - 3E	1861 - S - 4E
Length	250	1871 - S - 3	1871 - S - 4
	250 (E)	1871 - S - 3E	1871 - S - 4E
Length	300	1881 - S - 3	1881 - S - 4
	300 (E)	1881 - S - 3E	1881 - S - 4E

Inside Only

	Width	38	44
Length	200	1861 - IO - 3	1861 - IO - 4
	200 (E)	1861 - IO - 3E	1861 - IO - 4E
Length	250	1871 - IO - 3	1871 - IO - 4
	250 (E)	1871 - IO - 3E	1871 - IO - 4E
Length	300	1881 - IO - 3	1881 - IO - 4
	300 (E)	1881 - IO - 3E	1881 - IO - 4E

Privacy

	Width	38	44
Length	200	1861 - P - 3	1861 - P - 4
	200 (E)	1861 - P - 3E	1861 - P - 4E
Length	250	1871 - P - 3	1871 - P - 4
	250 (E)	1871 - P - 3E	1871 - P - 4E
Length	300	1881 - P - 3	1881 - P - 4
	300 (E)	1881 - P - 3E	1881 - P - 4E