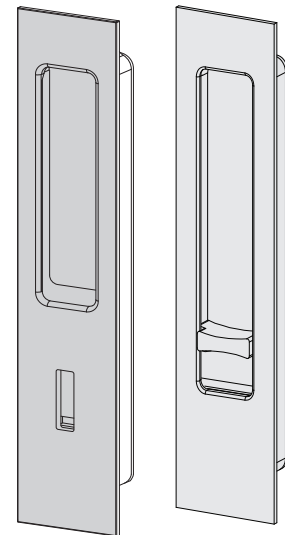
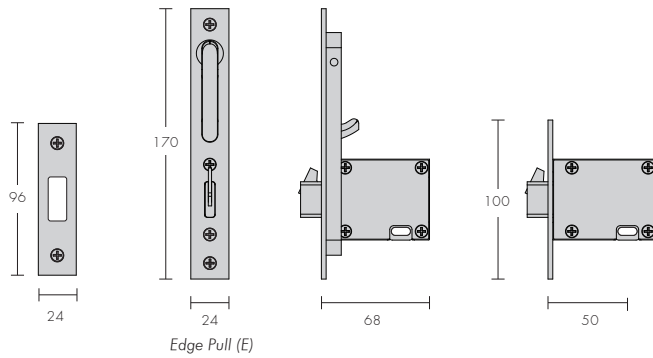


Flush Pull - Privacy Narrow

This product has been designed to provide a contemporary flush locking system for sliding doors.

- Minimum door thickness 35mm
- Concealed Fixing
- Solid brass construction
- 50 backset lock



Privacy
"P"

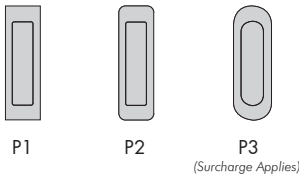
Allowing for access in
emergency situations

Ordering

- 1 Select product e.g 3061 - P - 3
- 2 Specify profile on order form P1 - P3. Code becomes 3061 - P - 3 (P1)

Refer to the 'Technical' PDF's for information on the flush pull dimensions and fixing detail.

Profile Options



Product Accessories

Visit the [Product Accessories](#) for available options

Privacy

	Width	38	44
200		3061 - P - 3	3061 - P - 4
200 (E)		3061 - P - 3E	3061 - P - 4E
250		3071 - P - 3	3071 - P - 4
250 (E)		3071 - P - 3E	3071 - P - 4E
300		3081 - P - 3	3081 - P - 4
300 (E)		3081 - P - 3E	3081 - P - 4E