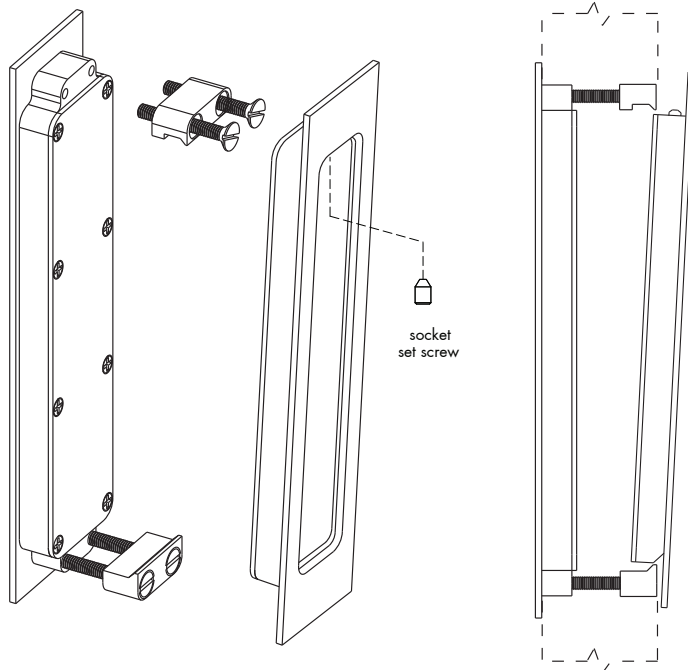


Locking Flush Pulls - Timber Fixing

Back to Back Fixed with 'C' Fixed Mounting Style

All Chant Flush VS Locking Flush Pulls with an external function are fitted using the back to back mounting system. This ensures the external flush pull cannot be removed exposing the locking slide bar. The external flush pull is attached from the inside of the door through the internal mounting blocks.



The inside Flush Pull is inserted into the mounting blocks then fastened with a socket set screw at the top of the finger recess.

Turn Privacy and Euro Locking Flush Pulls utilise the same mounting system but locks do not have a slide bar.

Flush pull functions include:

VS Privacy / Turn Privacy Flush Pulls

VS Locking Flush Pulls - LO / SO

VS Flush Pull Bolts - LO / SO

VS Euro Locking Flush Pulls - DC / CI / CS

VS Euro Locking Flush Pull Bolts - DC / CS

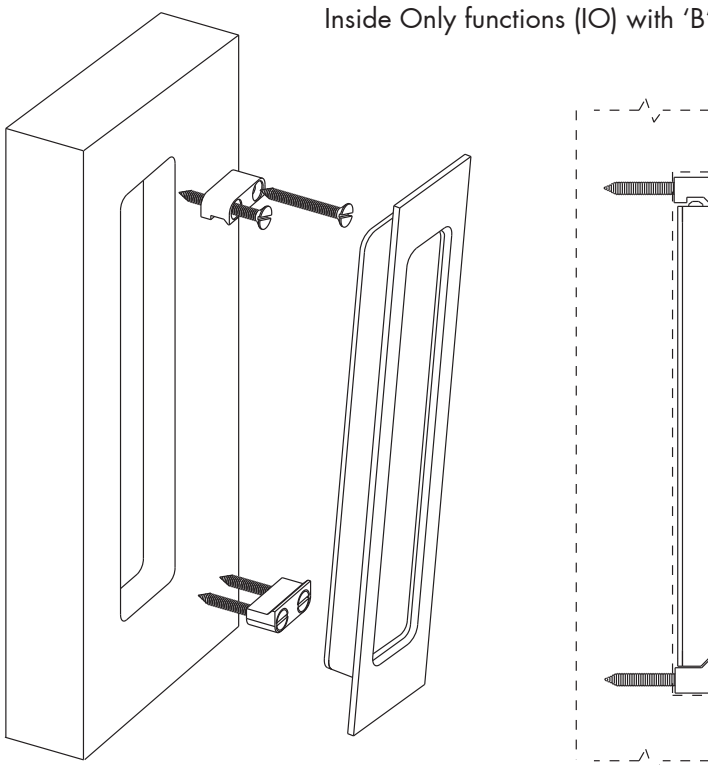
Euro Locking Flush Pull - DC / CI / CT / TI

All Flush Pull Locking Systems with an external flush pull require a minimum door thickness of 38mm. This does not include the Slim VS Privacy Product.

The Flush Pull Bolt door thickness is dependent on the specific features of each function and cylinder barrel type.

Contact us for information on custom solutions for narrower doors.

Inside Only functions (IO) with 'B' Fixed Mounting Style



Flush pull functions include:

VS Locking Flush Pulls - IO

VS Flush Pull Bolts - IO

VS Euro Locking Flush Pulls - IO

VS Euro Locking Flush Pull Bolts - IO

Euro Locking Flush Pulls - IO / TIO

All 'Inside Only' (IO) Flush Pull products require a minimum door thickness of 38mm when the lock is positioned centrally in the door.

The Flush Pull Bolt door thickness is dependent on the specific features of each function and cylinder barrel type.