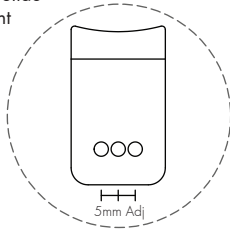


# VS Locking Flush Pull Flexible Backset - Fabricator Australia

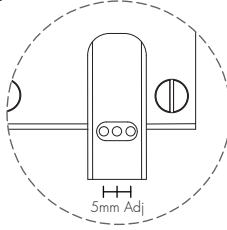


## Flush Pull Slide Adjustment

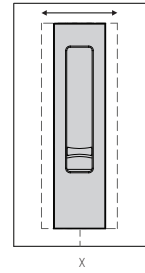


Central hole is the standard back set position  
The side holes provide LH /RH adjustment.

## Locking Bar Adjustment



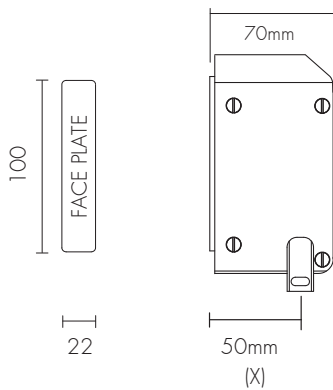
Slide has a slotted pocket which allows for further adjustment left to right.



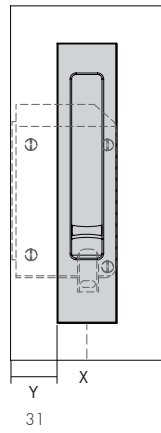
Flush Pulls can be positioned Left to Right depending on the flush desired location.

Note: 'Y' is based on flush pull being positioned on standard backset 'X'. Using the adjustment will affect the position to the edge of the door.

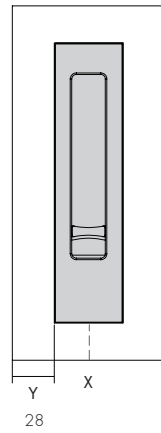
### 50 Back set (50BS - C - AD803)



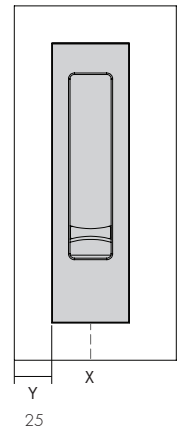
### 38 (Adj +/- 5mm)



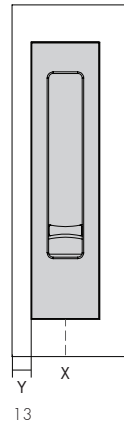
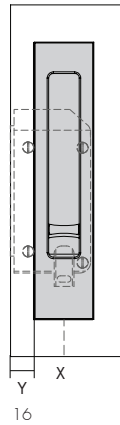
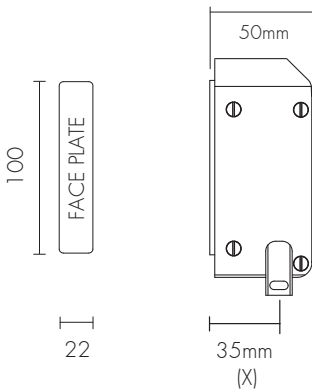
### 44 (Adj +/- 10mm)



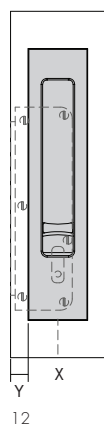
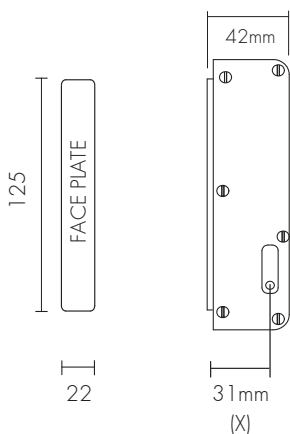
### 50 (Adj +/- 10mm)



### 35 Back set (35BS - B - AD749)



### 31 Back set (31BS - A - AD745)



Consider:  
- Receiving stile  
- Glass

No Locking Bar Adjustment

