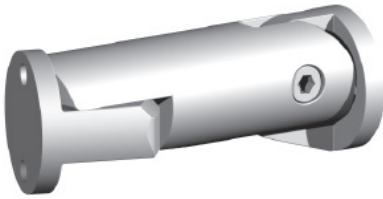
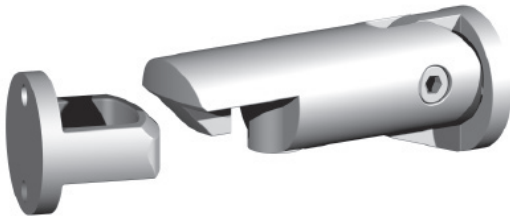


Hold Backs

3240 Installed length 80mm

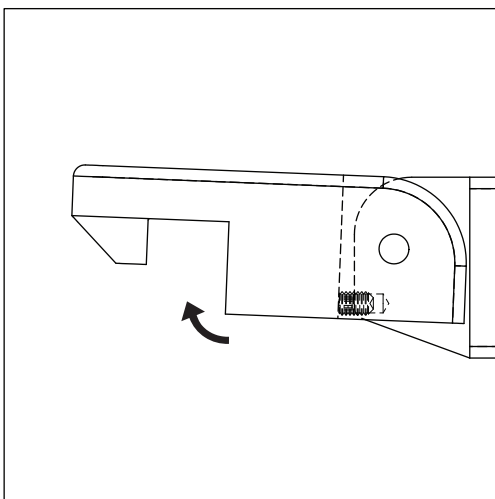
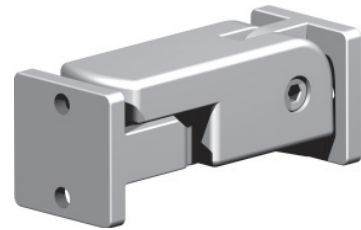
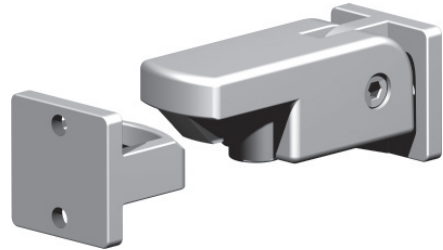
The hook bar has an integral rubber door stop and a nylon anti-rattle catch mechanism.



Line Hold Backs

3250 Installed length 80mm

The hook bar has an integral rubber door stop and a nylon anti-rattle catch mechanism.



Adjustment screw will allow you to increase the angle of the Hold Back to the mounting piece, suitable for the linear board.