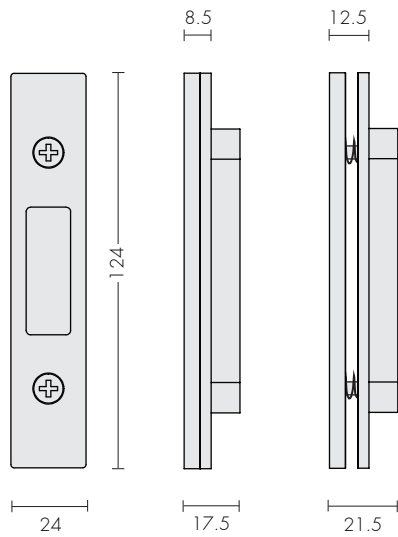


Adjustable Strikes

Timber Adjustable Strikes

1897

Adjustment - 4mm



Aluminium / Steel Joinery Adjustable Strikes

These strikes have an allowance for adjustment both front to back and up and down.

1899

Adjustment - 11mm

