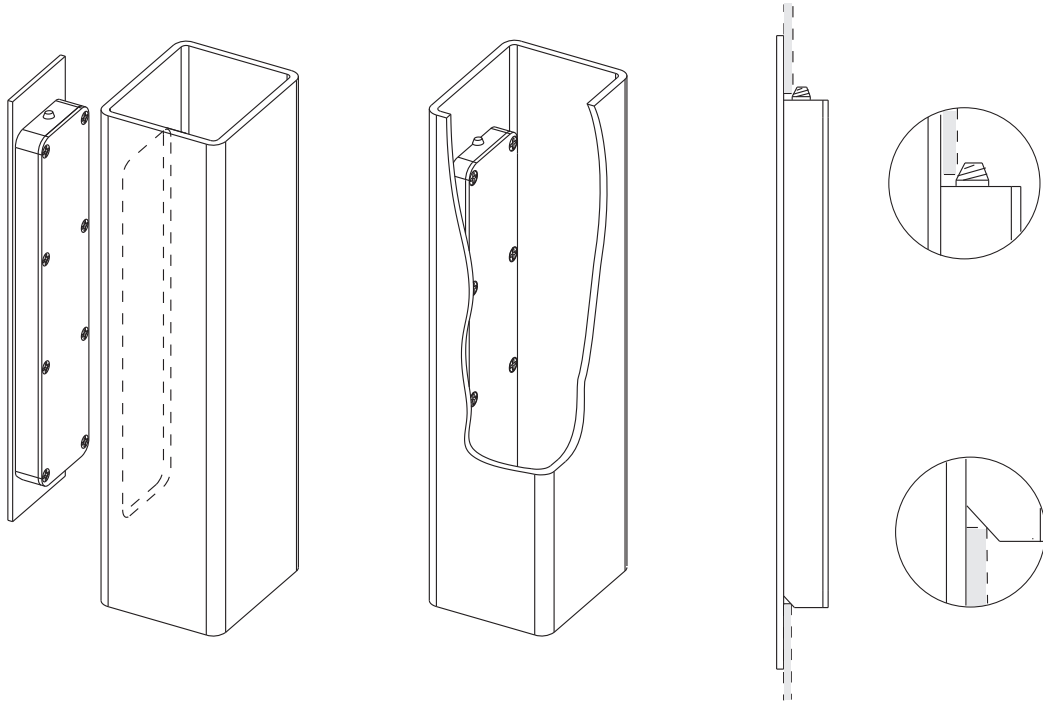


Flush Pull Fixing - Aluminium / Steel

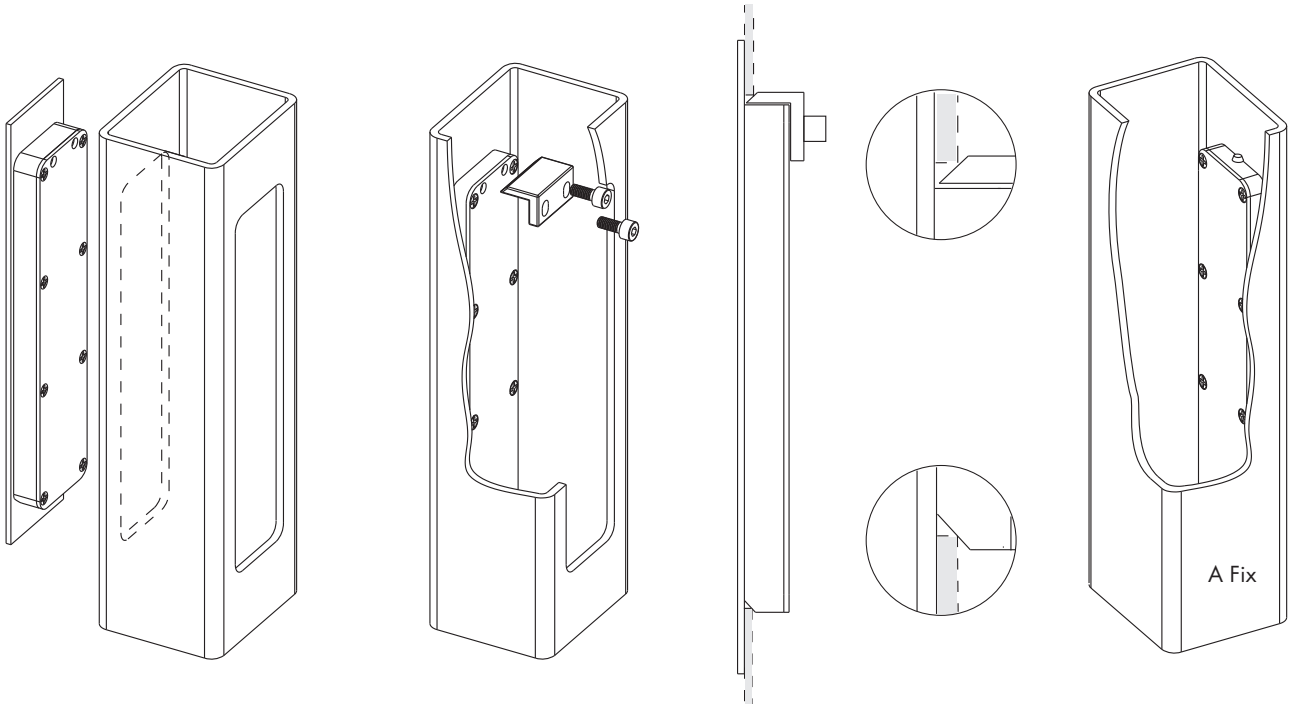
All fixings are included in the price.

A Fix - Surface Fixed

Surface fix, single side. The flush pull hooks into the aluminium at the bottom and is fastened by a socket set screw at the top of the pocket which binds against the aluminium wall.



D Fix - Back to Back Fixed



Back to back fixed. Essential where fixing security of the outside flush pull is required. The outside pull is fixed from the inside of the stile with screws and a clamp block. The inside flush pull is then fastened as per the 'A' fixing method'. All locking flush pull systems utilise this configuration as standard.