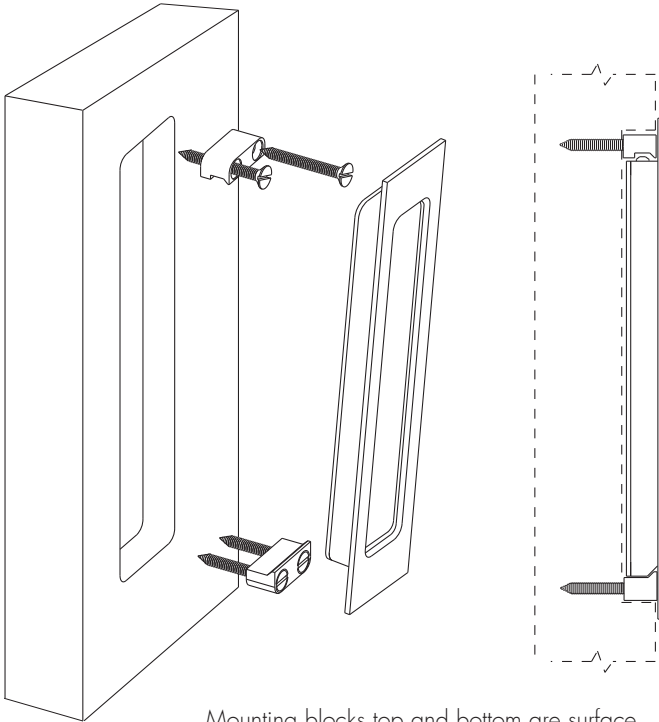


Flush Pulls Timber Fixing

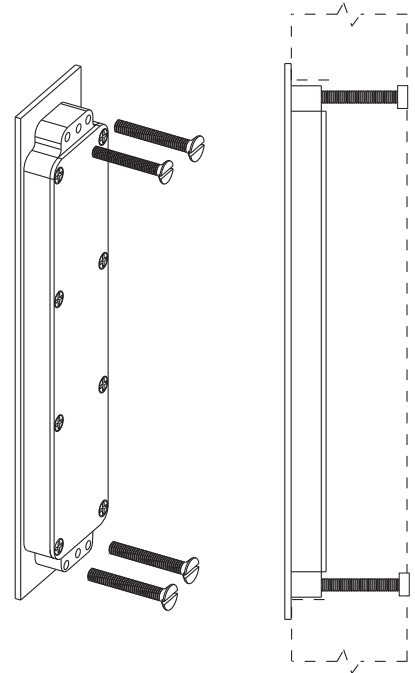
All fixings are included in the price.

B Fix - Timber surface fixed



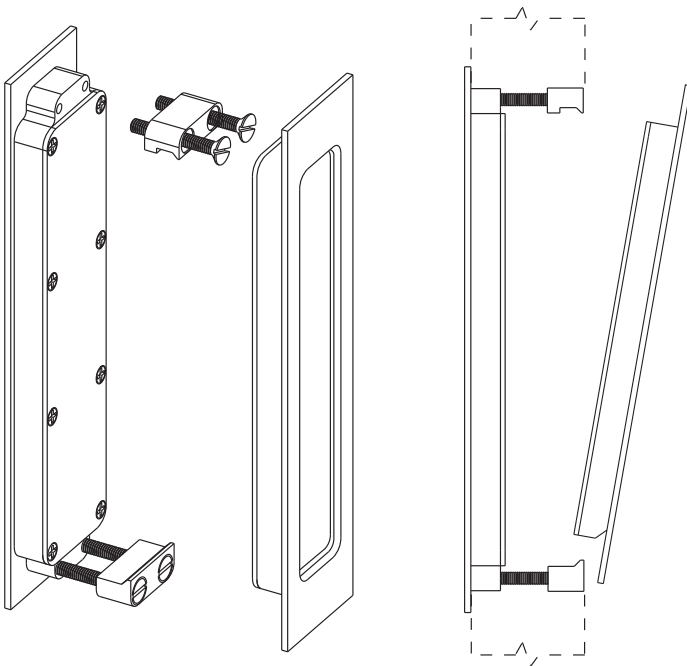
Mounting blocks top and bottom are surface screwed in place with 6g x 1" screws. The Flush Pull is inserted into the mounting blocks, then fastened with a socket screw at the top of the recess.

R Fix - Timber back fixed



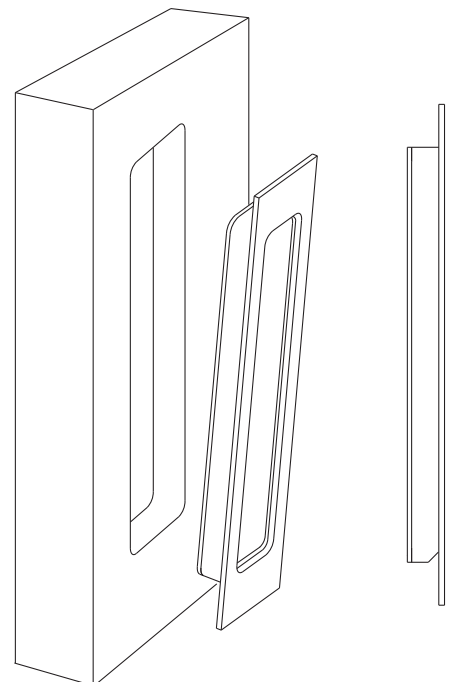
The Flush Pull is back fixed from the inside of the door. This fixing can be used for single installation or installing two types of different flush pull types back to back, eg order the external pull 'R' fix and the internal pull 'B' fix.

C Fix - Timber back to back configuration (order as two pieces)



The outside Flush Pull is back fixed with mounting screws that pass through the mounting blocks on the inside of the door. The inside Flush Pull is inserted into mounting blocks then fastened with a socket set screw at the top of the finger recess.

G Fix - Timber surface glue fixed (Glue not included)



The flush pull is glue fixed into the pocket. Ideally suited to narrow cupboards.