

# Square Bolts - Socket Bolts

The socket bolt range are available in a range of lengths to best suit different door heights ensuring an easy reach.

Products can be surface mounted or rebated flush to the surface or where thicker doors allow into the end of the stile.

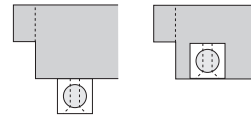
Socket Bolt Size		16mm
<b>20 Throw</b>		
Length	150	2910
	200	2911
	300	2912
	450	2913
	600	2914
<b>40 Throw</b>		
Length	200	2911 - 40
	300	2912 - 40
	450	2913 - 40
	600	2914 - 40

### Mounting

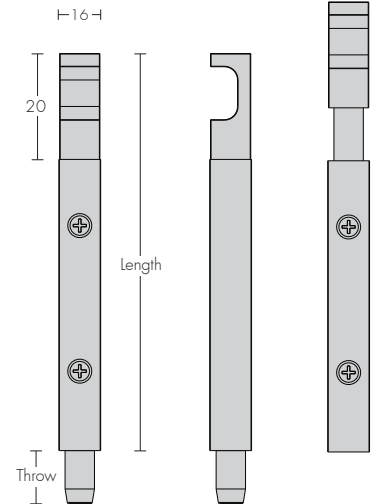
- 10g x 2" screws for timber
- M5 screws for steel.

### Mounting options

Sliding & Rebated Doors



Ideally 50mm + door required for this fitting



## Socket Bolt - 16mm - Strikes

Flat Strike		Waterproof		Surface Strike	
<b>2995 - H</b> Hinge Door	<b>2995 - S</b> Sliding Door	<b>2996 - H</b> Hinge Door	<b>2996 - S</b> Sliding Door	<b>2199 - 16</b> Hinge / Sliding Door	<b>2990</b> Horizontal
16 x 50 x 3mm	19 x 50 x 3mm	16 x 50 x 23mm	19 x 43 x 23mm	35D x 22mm	16SQ x 45mm

## Socket Bolt - Packer

For use where the bolt needs to be spaced over the door seals.

Socket Bolt Size		16mm
Length	150	2900
	200	2901
	300	2902
	450	2903
	600	2904

### 16 SQ Bolt

22 x 12mm

