

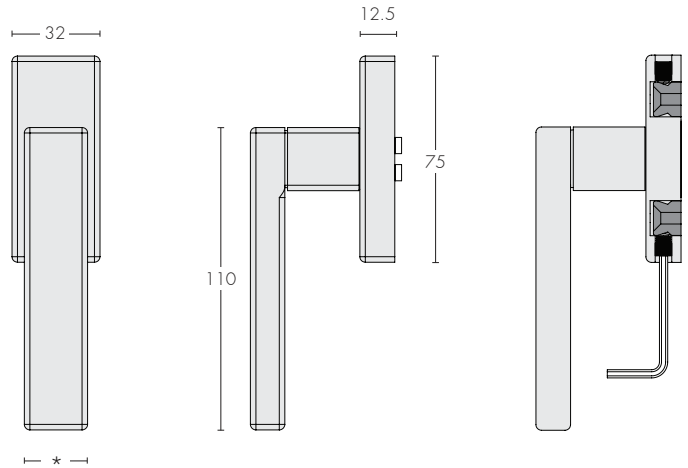
## Tilt & Turn - Handle

The tilt & turn window handles are designed to fit tilt & turn window mechanisms and complement our matching door furniture on a project.

The handles have detents at 90 degree positions.

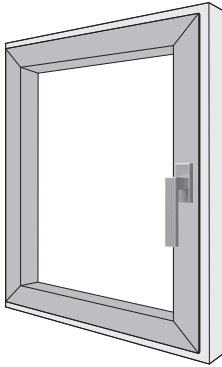
Plates are 32 x 75mm with 43mm fixing centres, semi concealed fixing to suit standard tilt & turn mechanisms.

- Solid brass construction
- Custom options available
- Available in a range of finishes

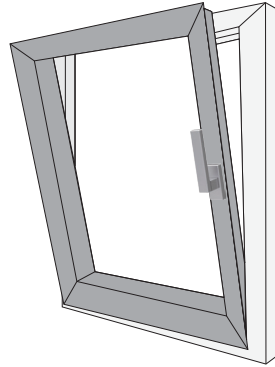


\* Same as the standard door lever, only the length is shortened.

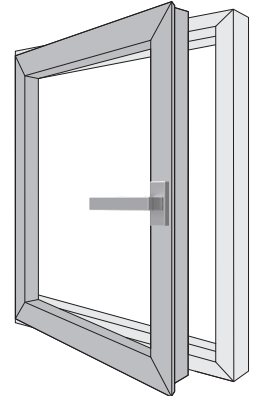
### Function



Handle is Down  
Window is Closed



Handle is Upward  
Window is Tilted



Handle is Horizontal  
Window is Open

### Line

P1-B Plate

691-6

