

Twin Bolt - Lock

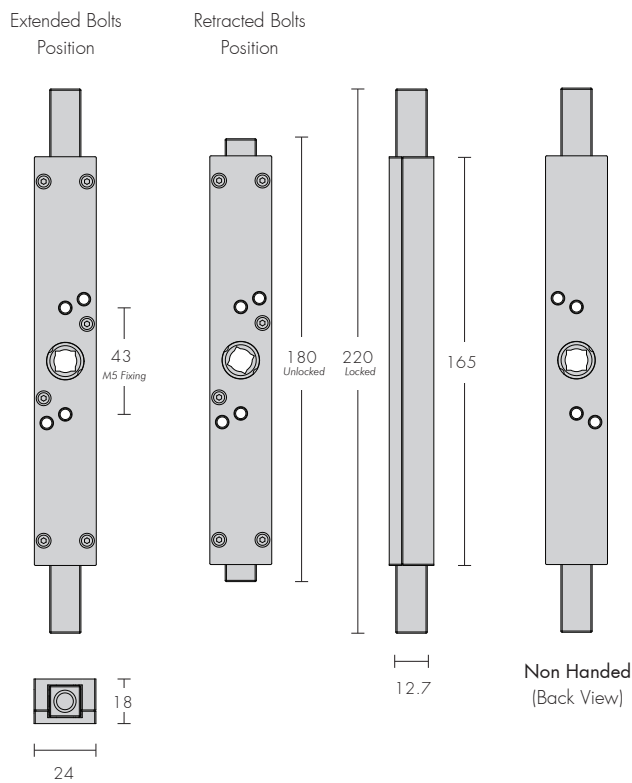
Steel & Alloy Joinery

Twin bolt locks can be used on bi-folding doors where the handle is required to drive locking rods into the top and bottom stiles of the door frame or swinging doors as required.

Non Handed

4310 - M8

Can be flipped vertically to change rotation

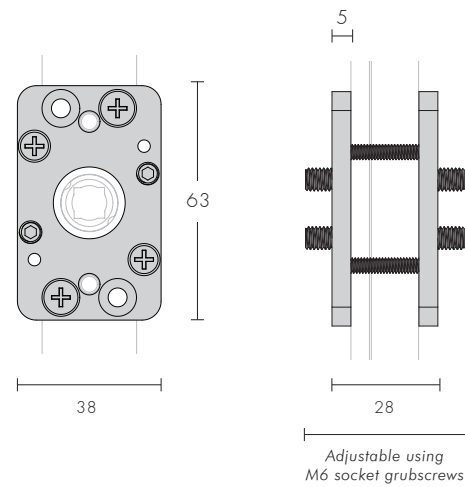


- 20mm rod throw
- Available with bolts top and bottom, or top or bottom only
- Solid brass construction and stainless steel componentry
- Minimal actuator handle rotation of 65° to retract the rods
- Suit M8 threaded rods
- 8mm Square Spindle

Section Packer

4301

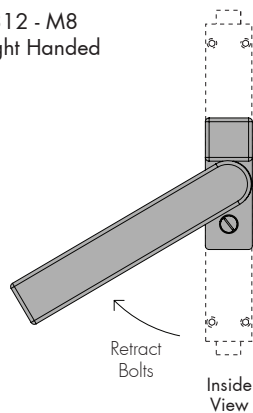
Section packers are used to center and support the twin bolt mechanism in the section.



Handed (Typically for rolled steel door sections)

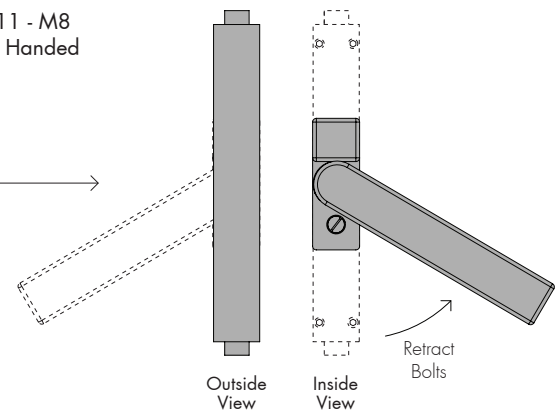
Handed as viewing of the handle, Cannot be flipped vertically

4312 - M8 Right Handed



4311 - M8 Left Handed

No fixings seen this side



Strike & Guide Options

Visit the [Bolt Strikes & Guides](#) section for available options