

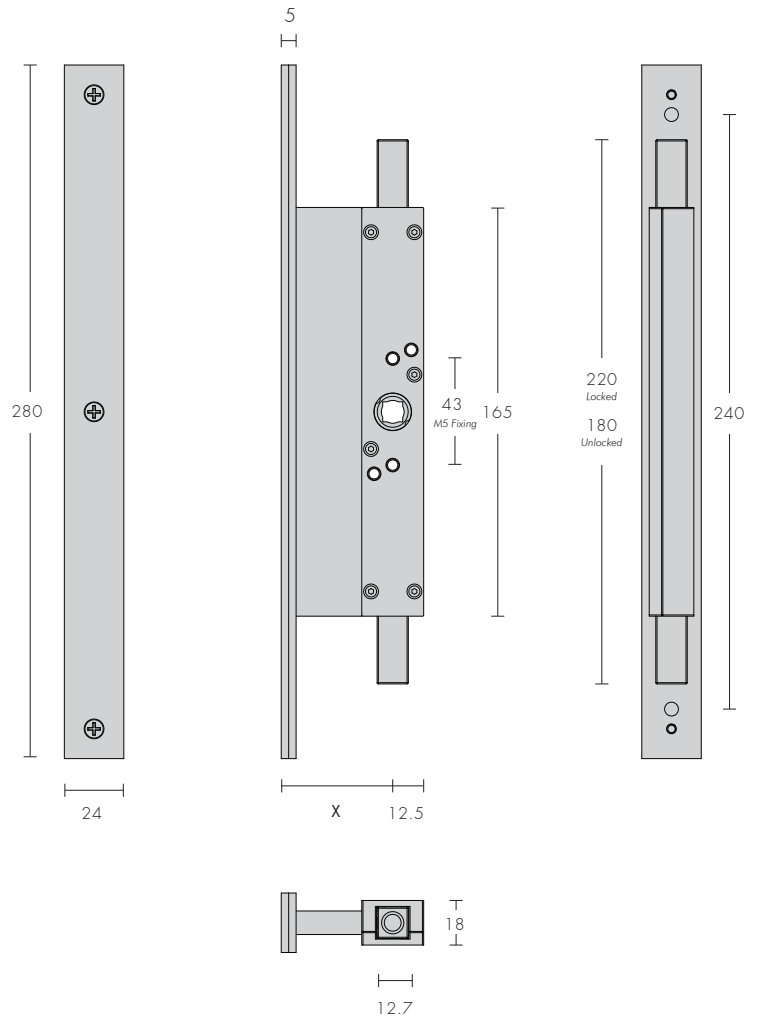
Twin Bolt - Lock

Timber Joinery

Twin bolt locks can be used on bi-folding doors where the handle is required to drive locking rods into the top and bottom stiles of the door frame or swinging doors as required.

Backset Options	X
4332 - 45	45
4332 - 65	60

- 20mm Rod Throw
- Available with bolts top and bottom, or top or bottom only
- Solid brass construction and stainless steel componentry
- Minimal actuator handle rotation of 65° to retract the rods
- Non Handed
- Suit M8 threaded rods
- 8mm square spindle



Strike & Guide Options

Visit the [Bolt Strikes & Guides](#) section for available options