

Complete Twin Bolt Assembly
Components sold separately

Twin Bolt - Mechanism

Twin bolt operators can be used on bi-folding doors where the handle is required to drive locking rods into the top and bottom stiles of the door frame or swinging doors as required.

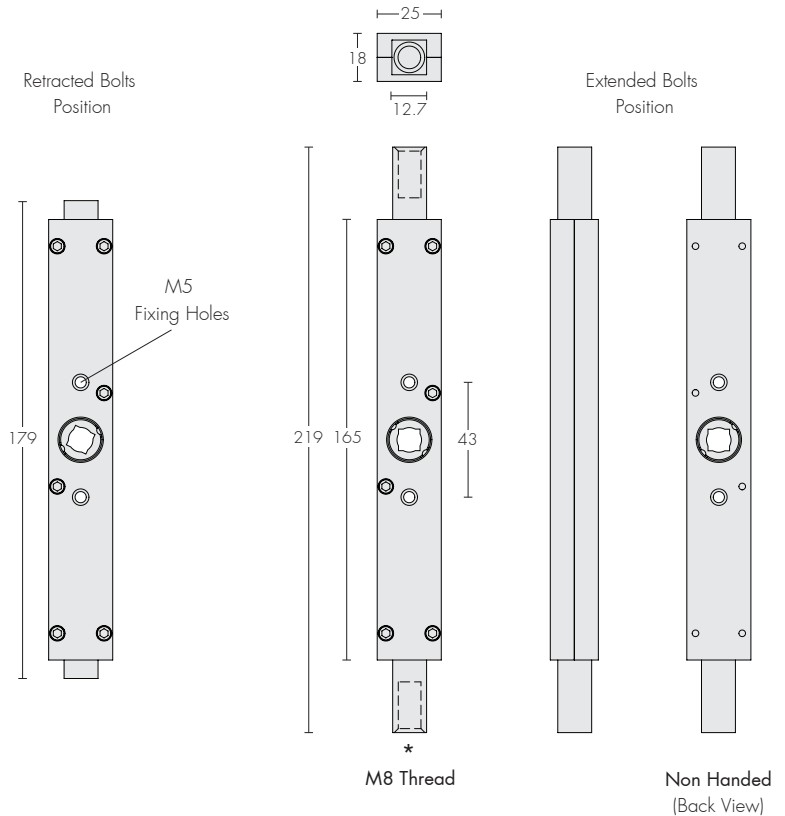
- Locks and components are made from 316 SS and brass for corrosion resistance
- Minimal actuator handle rotation of 60° to retract the rods.
- 20mm Rod Throw
- Available with bolts top and bottom, or top or bottom only
- Handed & Non Handed options
- Suit M8 threaded rods

Please see Twin Bolt Accessories page for handle, bolt options etc.

Twin Bolt - Non Handed

(Can be flipped vertically to change rotation)

4310 - M8



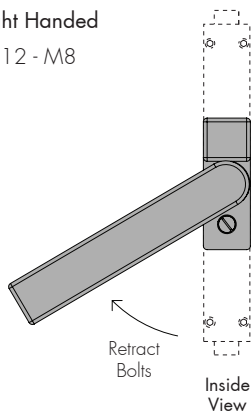
Twin Bolt - Handed (Typically for rolled steel door sections)

Handed as viewing of the handle

(Cannot be flipped vertically)

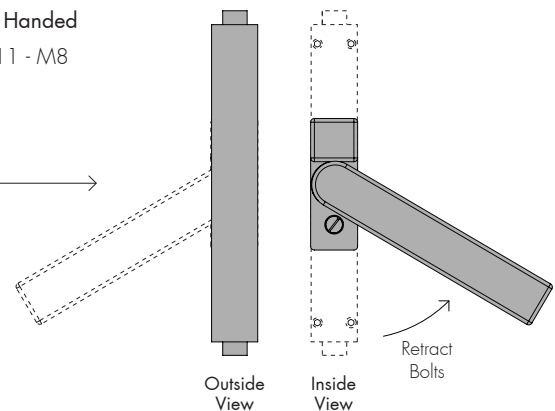
Right Handed

4312 - M8



Left Handed

4311 - M8



No fixings
seen this side