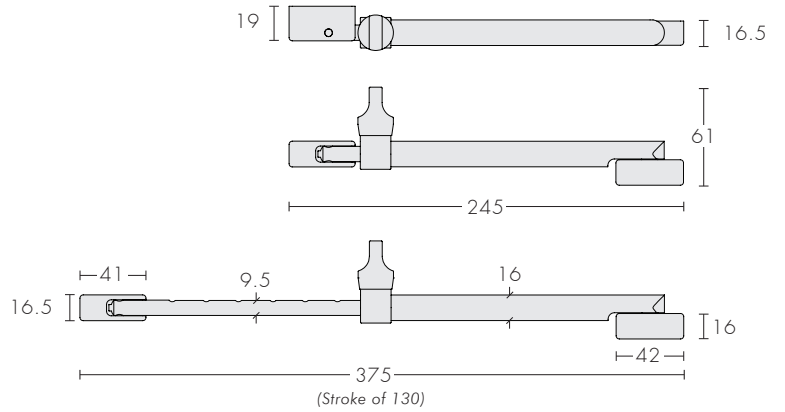


Telescopic Stays

The Telescopic Stays have semi-concealed fixing at each end on the mounting blocks. The thumb turn locks a ball into the recess in the telescoping shaft for a positive lock. Thumb turn rotation is less than two turns from lock to unlock, and there is no need to over tighten.

This stay would generally be used on windows up to 0.75 square meters, e.g 1m x 0.75m wide.

Refer to technical documentation for more information on positioning/geometry.



Awning Windows

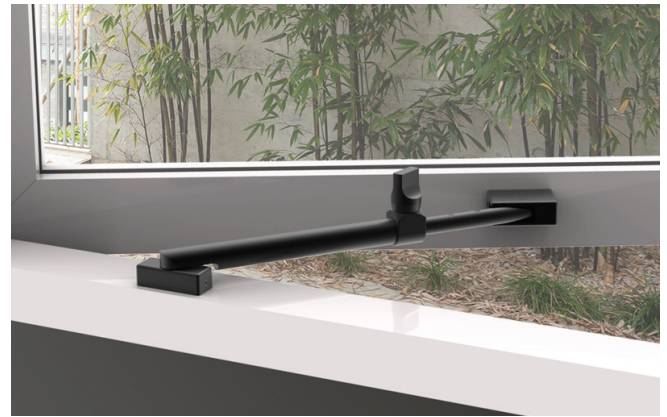
Handed



Left hand example shown

Casement Windows - 4231

Non Handed



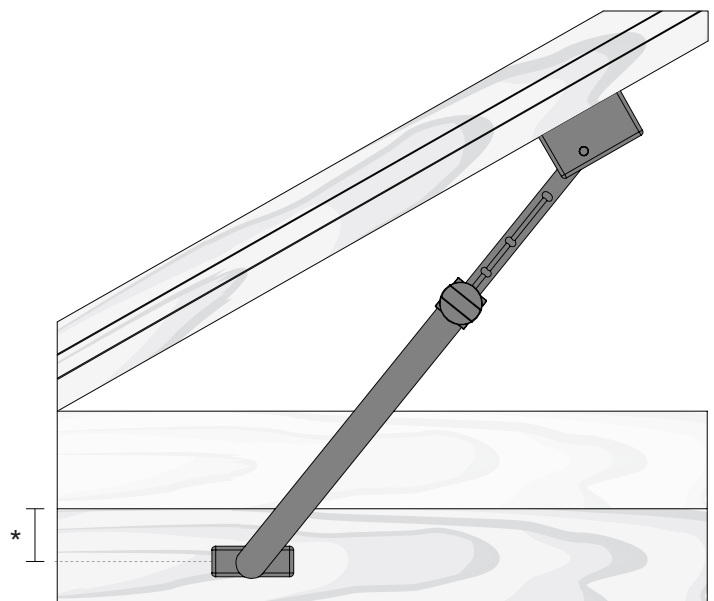
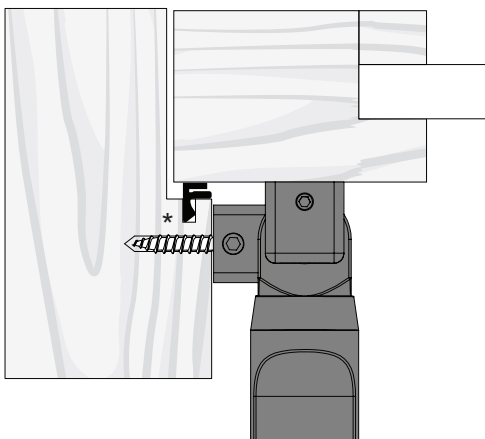
Awning Windows

Right Angle Face Windows 4241

Note this product is handed specify LH or RH

4241 LH / 4241 RH

Left hand example shown



* Adjust this dimension to fasten to solid timber away from the weather seal groove if applicable.