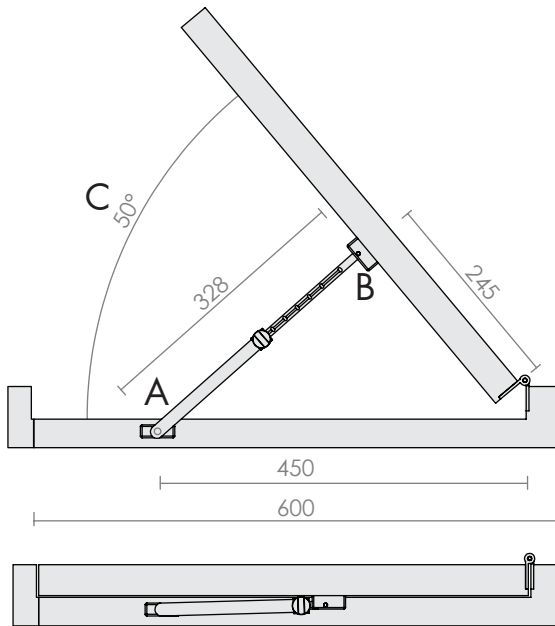


Telescopic Stay

Recommended Installation - Using the full extension of the telescopic stay

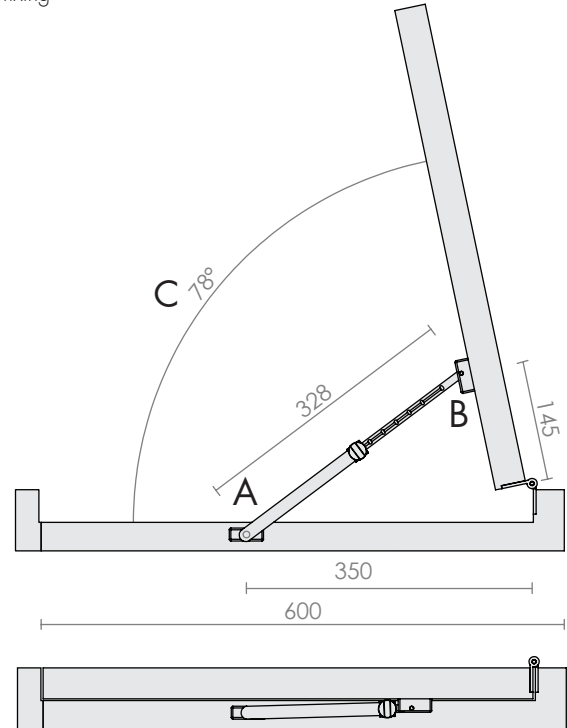
Example on a 600mm wide sash

When reducing the distance of fixing point A & B, this increases the wind load at fixing point B while increasing the opening angle C



Example 1

Moderate opening, while minimising the wind load at mounting point B



Example 2

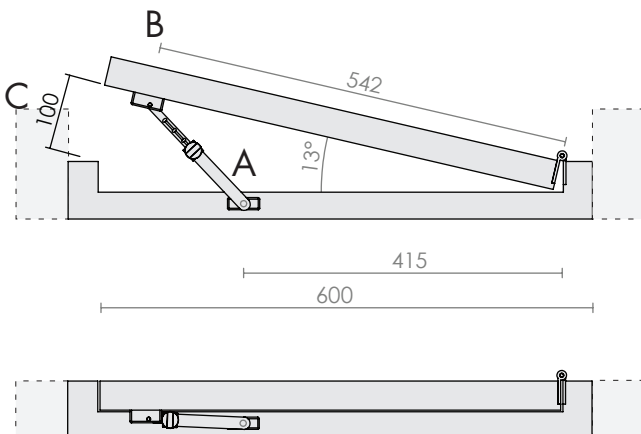
A wider opening can be achieved at the expense of increasing the window load at mounting point B.

Security Stay

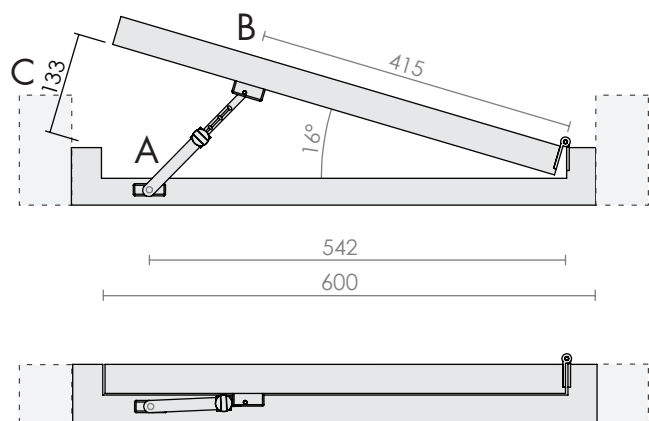
Installation - Using the full extension of the security stay

Example on a 600mm wide sash

Refer to local council guidelines on the maximum window openings in first floor and above applications



Recommended



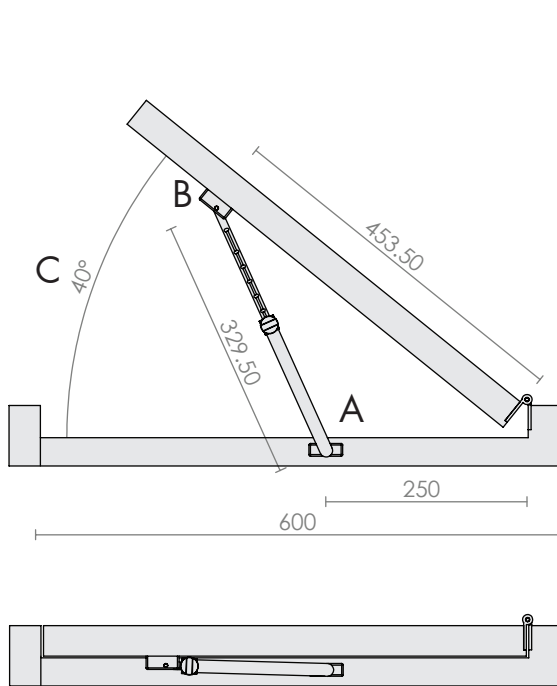
Alternative

Telescopic Stay - Configuration 2

Recommended Installation - Using the full extension of the telescopic stay

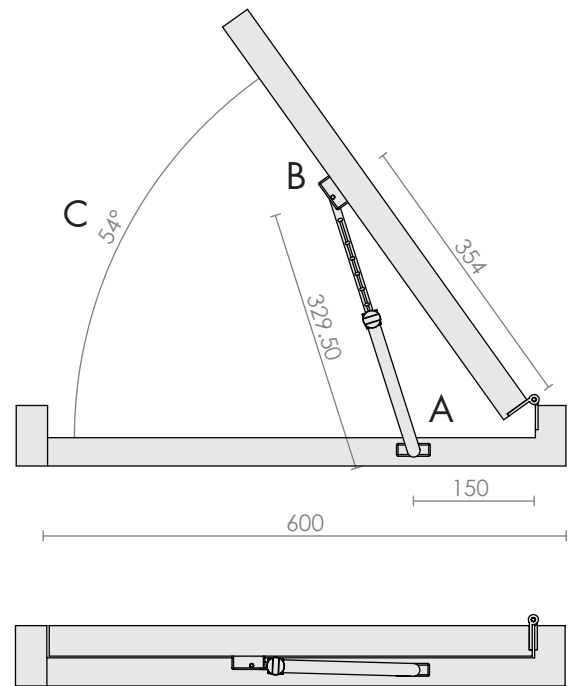
Example on a 600mm wide sash

When reducing the distance of fixing point A & B, this increases the wind load at fixing point B while increasing the opening angle C



Example 1

Moderate opening, while minimising the wind load at mounting point B



Example 2

A wider opening can be achieved at the expense of increasing the window load at mounting point B.