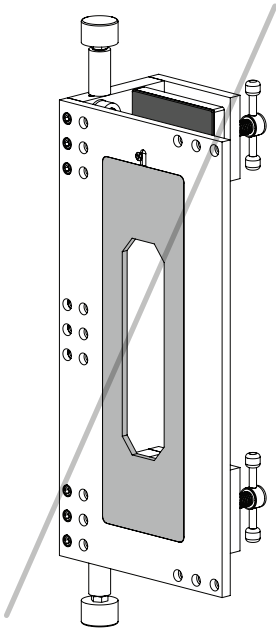


## Mortising Equipment - Discontinued Jigs

Templates are still available for purchasing

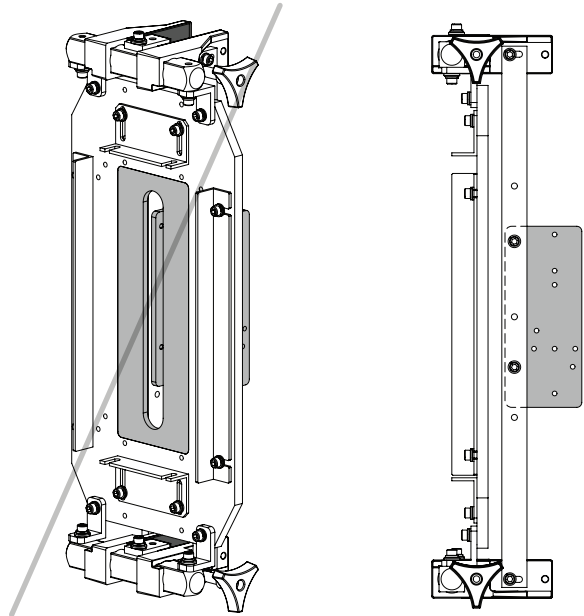
Spare parts can be sold please contact us for more details



~~Universal Jig - 6043 - 330~~  
(Replaced by 3 Sided Routing Jig - 6014)

### Templates

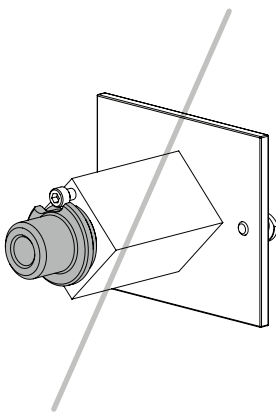
6043 - 330T - 100 x 330



~~Faceplate Routing Jig - 6010 - 280~~  
(Replaced by 3 Sided Routing Jig - 6014)

### Templates

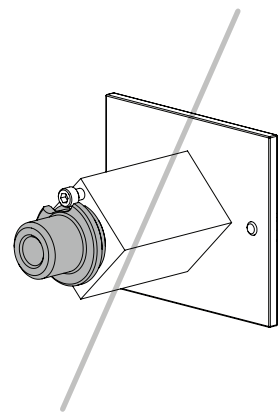
Faceplate - 6010T - 100 x 280  
Side Marking - 6010TS



~~Tubular Latching 24mm Drill Jig - 6020~~  
(Replaced by 3 Sided Routing Jig - 6014)

### Available Accessories

6020-1 - 24mm Augur Bit  
6020-2 - Drill Bush - 10mm  
6020-3 - Drill Bush - 12mm  
6020-4 - Drill Bush - 19mm



~~Tubular Latching 25mm Drill Jig - 6028~~  
(Replaced by 3 Sided Routing Jig - 6014)

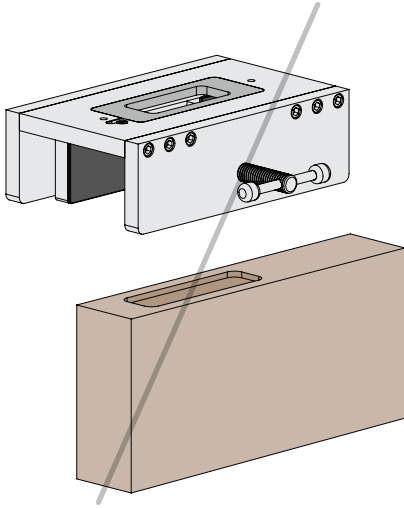
### Available Accessories

6028-1 - 25mm Augur Bit  
6028-2 - Drill Bush - 10mm  
6028-3 - Drill Bush - 12mm  
6028-4 - Drill Bush - 19mm

## Mortising Equipment - Discontinued Jigs

Templates are still available for purchasing

Spare parts can be sold please contact us for more details

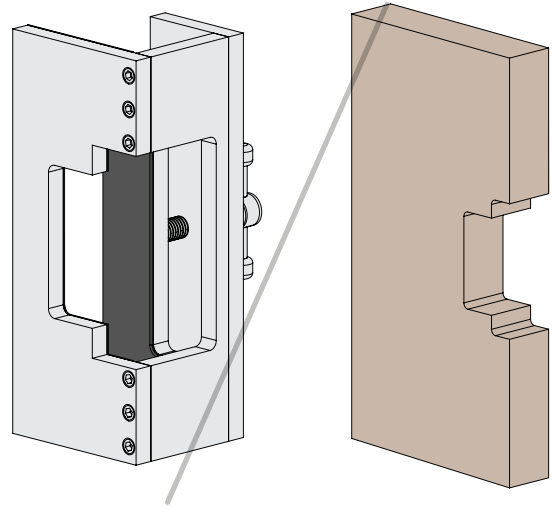


### ~~Top/Edge of Door Jig - 6045~~

For installing products such as Roller Catches in the top or edge of door, where the clamping is close to the front face of the door.

#### Template

6045T - 50 x 120

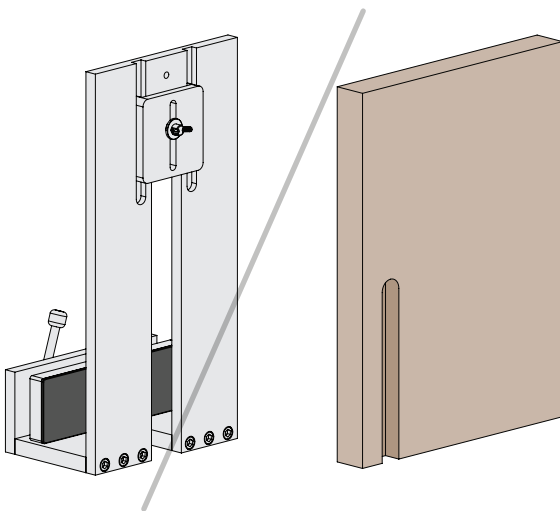


### ~~CaviLock Jigs~~

6150 - CL205

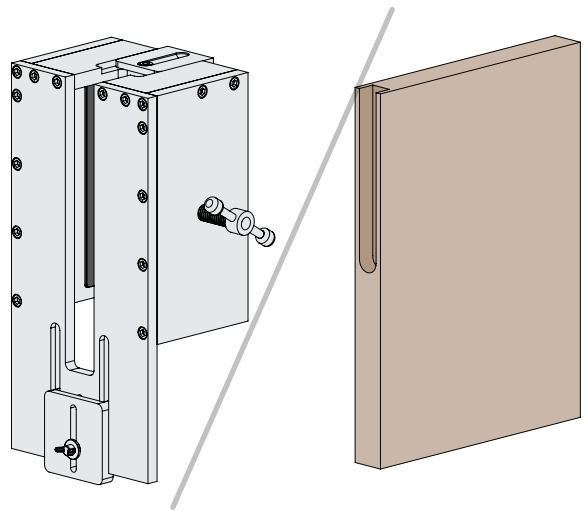
6150 - CL400

## Drake & Wrigley Product



### ~~Drake & Wrigley Side Jig - 6151~~

(Slot cutout 25.4mm)



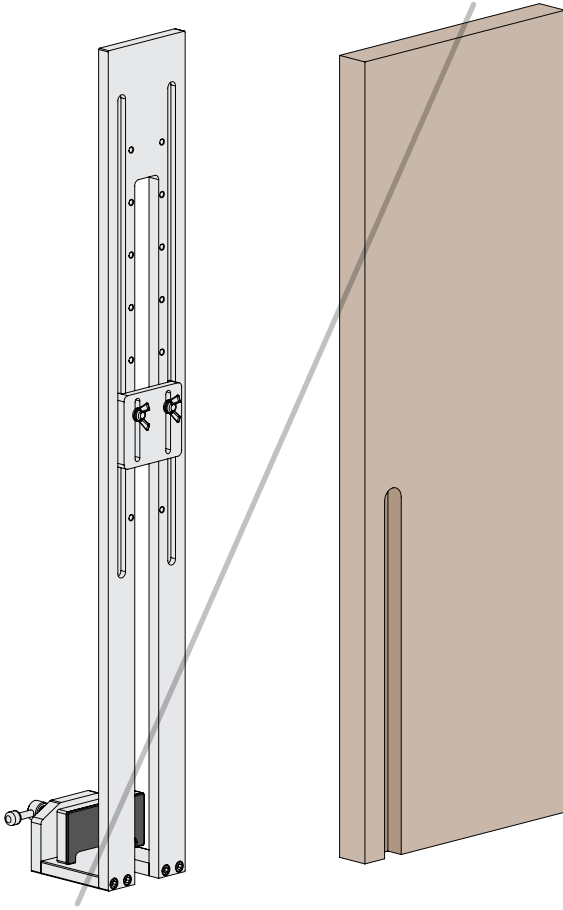
### ~~Drake & Wrigley End Jig - 6152~~

(Slot cutout 25.4mm)

## Mortising Equipment - Discontinued Jigs

*Templates are still available for purchasing*

*Spare parts can be sold please contact us for more details*



~~Drake & Wrigley Extended Jig - 6153~~

(Slot cutout 25.4mm)