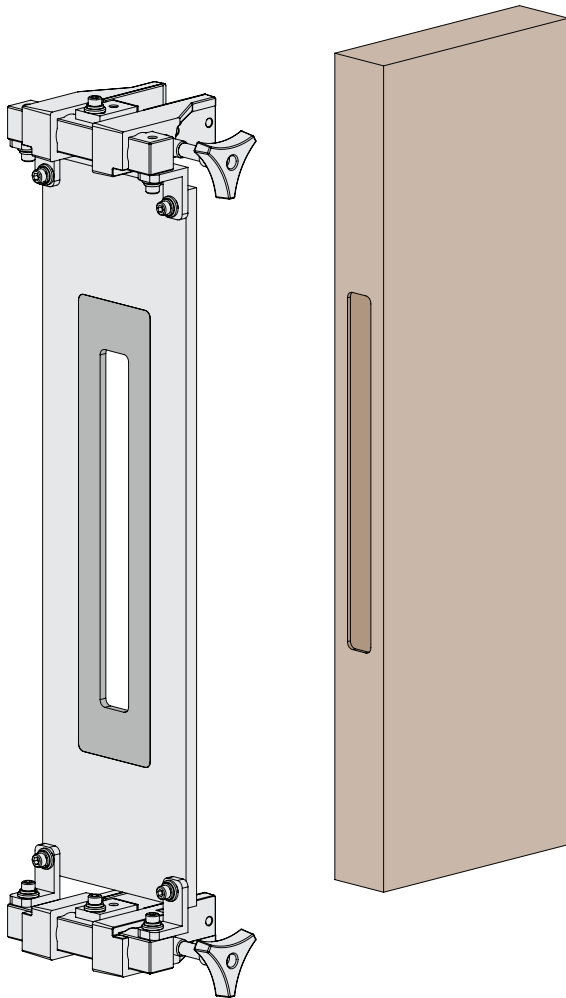


Mortising Equipment - Jigs

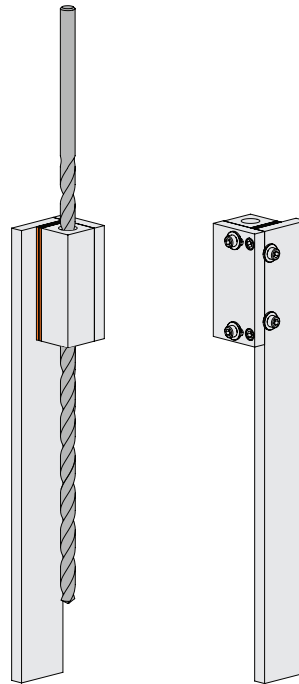
Power Transfer Hinge



Power Transfer Hinge Jig - 6012

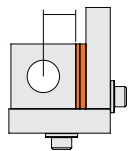
Template

6012T - 75 x 350



Centreline
adjusting
shims

16mm Ref



Shims Included

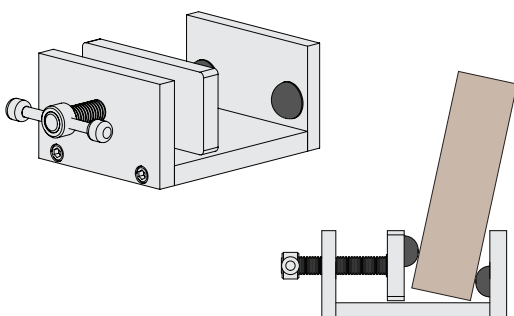
Shim - 1mm
Shim - 2mm
Shim - 3mm

Drill Jig - 6048

Used to align the drill for cross door hole for power supply to a mortice lock.

Available Drills

6048-1 - 10 x 1000mm Drill



Door Holder - 6040-PT

Suits Power Transfer Hinge Jig