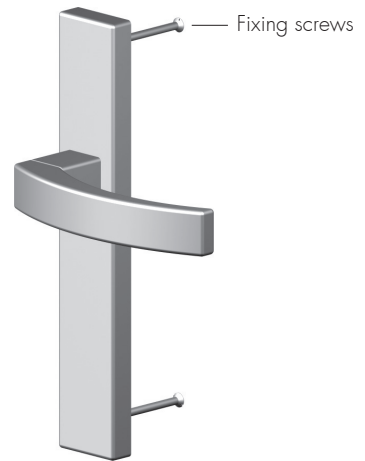


Plate Mounting Options

Surface Fixed



Back Fixed



Back to Back

