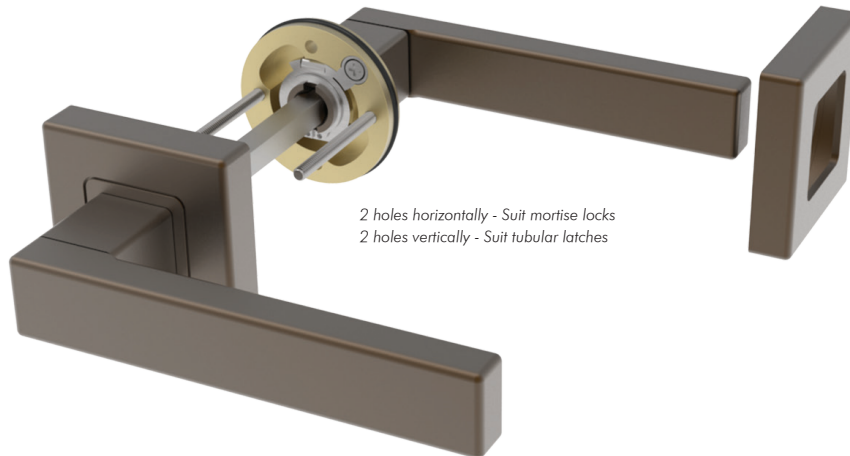


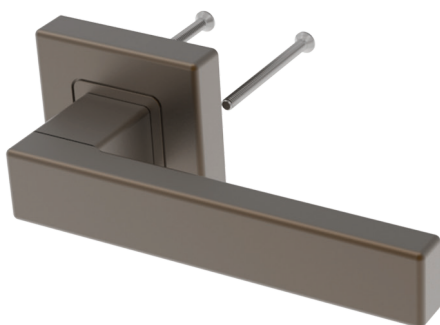
## Rose Mounting Technical

- Designed and manufactured in New Zealand
- Suitable for all joinery types
- Spring return on all roses
- Available as back to back, back fixed and surface fixed
- Concealed Fixing
- Includes fixings and spindle



### Back To Back

Timber and metal doors - M4 CSK Machine Screws  
Specify door thickness when ordering



### Back Fixed

Timber and metal doors - M4 CSK machine screws  
Specify door thickness when ordering



### Surface Fixed

Timber - 8G screws  
Alluminum/Steel - M4 CSK machine screws  
Specify door and material thickness when ordering