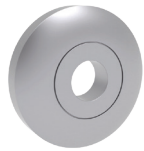


Chant Rose Styles

Standard rose fixing centres for Chant 'Round' and 'Square' roses are 38mm. Fixing centres for Lockwood locks at 41mm centre are also available.

Some handle styles are restricted in the applicable rose types. For eg. the Line 691 and Cubic 671 handles require rose types with the internal square cover detail.

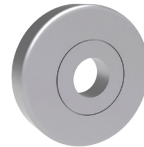
Round



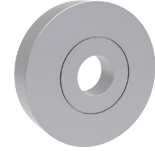
Facet (F)



Radius (R)



Cylinder (C)



Cylinder 2 (C2)
(A1 corner)



Traditional (T)



Traditional 2 (T2-R)



Square



Line (L)



Square 3 (S3)
(A1 corner)



Bella (B)



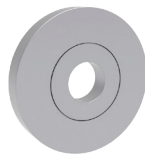
Chant Rose Styles - Low

Low roses require a section of the mechanism to be recessed below the door surface and are only available with 38mm fixing centres.

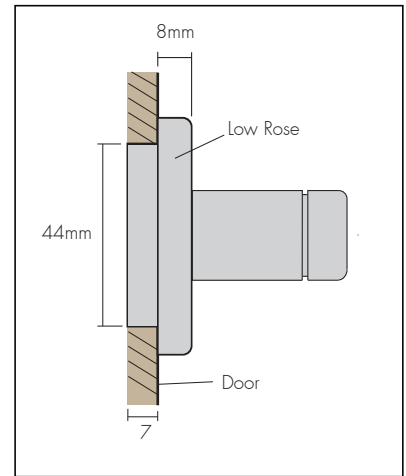
Round



Low Cylinder (C-W)



Low Cylinder 2 (C2-W) (A1 corner)



Square



Low Line (L-W)



Low Square 3 (S3-W) (A1 corner)



Low Bella (B-W)

