

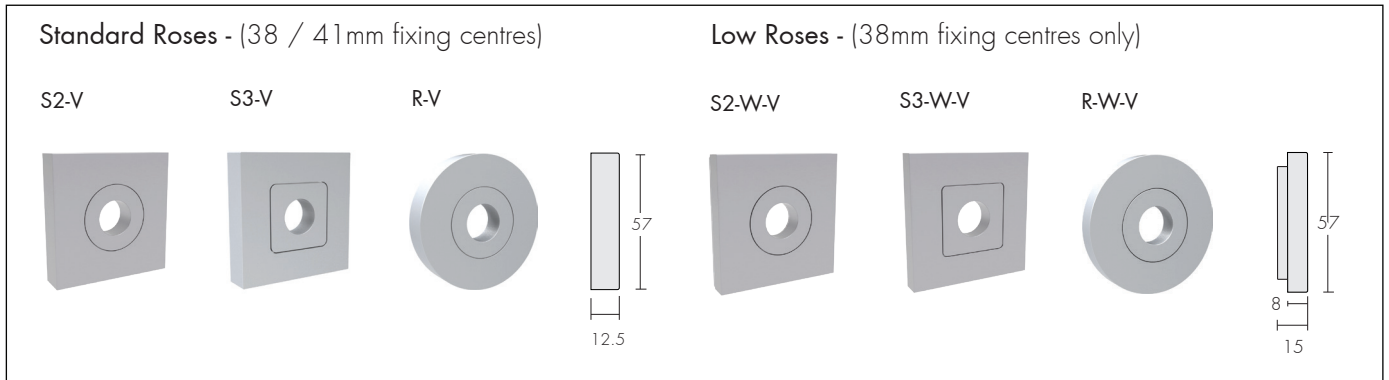
Rose - Variable Edge Detail (VED)

(Surcharges apply to these options)

- The Variable Edge Detail concept has been created to allow a range of design details to be added to your lever products and to complement other products using the VED concept. This can be applied to both standard and low rose options.

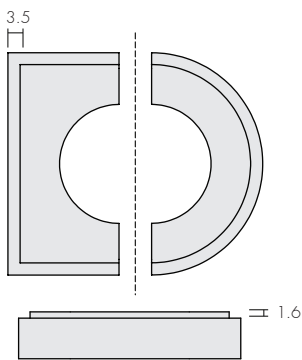
To order:

- Step 1: Specify the rose type, Round or Square. Note the internal profile of the square roses is to suit linear or circular handle styles.

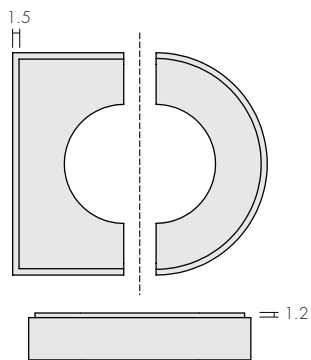


- Step 2: Specify the 'VED' profile (this covers the edge detail only) Ordering example: R-V (V1)

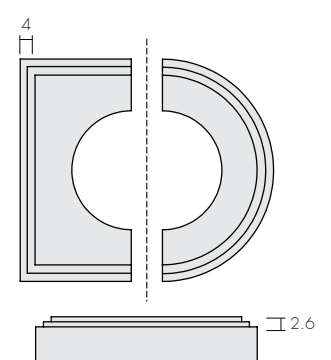
V1



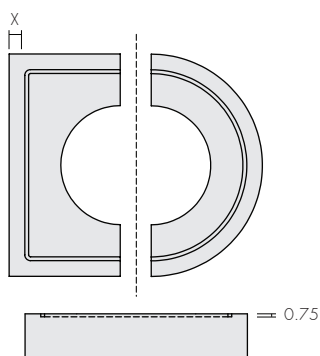
V2



V4



V5



VC

