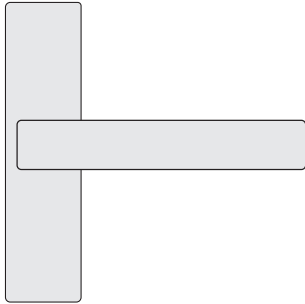


## Plate Specification Examples

Use Chant Order Forms where possible to allocate code information into the relevant fields for a clear specification.

### Latching Plate (short)

691 - 32mm, 10 series - Edge detail 'P1-B'



Order Code: A10 - 32 - 0/5 - P1-B - L

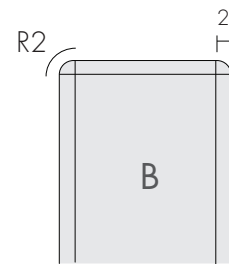
Guide for ordering

① A10 ② 32 ③ 0/5 ④ P1-B ⑤ L

### Profile Type P1



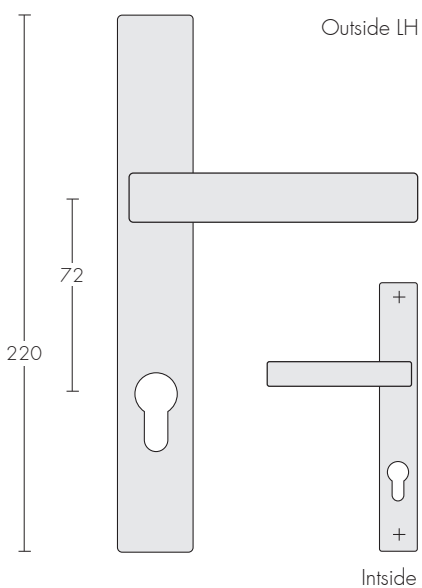
### Edge Detail - B



### Locking Plate

Chant Lock (Option C) - Pair of handles

691 - 32mm, 40 series - Edge detail 'P1-B'



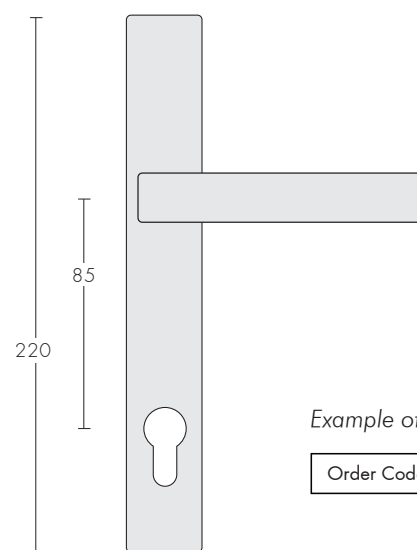
Order Code: C40 - 32 - 1/6 - P1-B - L

Guide for ordering

① C40 ② 32 ③ 1/6 ④ P1-B ⑤ L

Euro 85c (Option E) - Pair of handles

691 - 32mm, 40 series - Edge detail 'P1-B'



Example of Single handle

Order Code: E40 - 32 - 6 - P1-B - L

Order Code: E40 - 32 - 1/6 - P1-B - L

Guide for ordering

① E40 ② 32 ③ 1/6 ④ P1-B ⑤ L