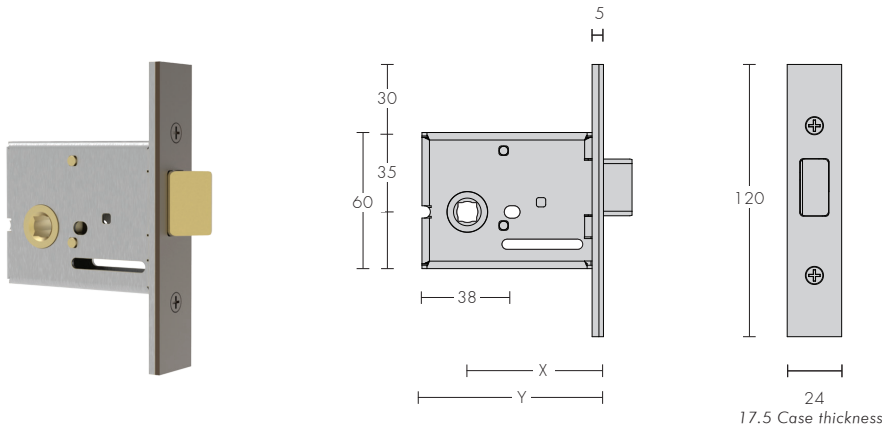


# Mortise Latches

Mortise latch products have been designed for all door types including narrow stile and allow for a consistent back plate length across the various functions of a project.

Designed and manufactured in New Zealand from 316 grade stainless steel and brass for corrosion resistance.

- Reversible latch bolt for LH or RH hung doors
- Minimal lever handle rotation of 40°
- 8mm square spindle hub



## Heavy Duty (HD)

When these latches are to be used with unsprung lever handles.

Standard	HD	Backset X	Case Depth Y	Horizontal Fixing Centers
1010 - 35		35	52	Plate Furniture
1010 - 45	1010 - 45 - HD	45	67	38 - 41 mm
1010 - 60	1010 - 60 - HD	60	82	38 - 41 mm
1010 - 70	1010 - 70 - HD	70	92	38 - 41 mm

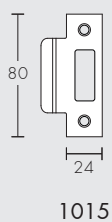
## Strikes Options

All strikes include strike dust boxes

Strikes are handed to allow the lip to wrap around the edge of the jamb.

Standard strikes measure 20mm from the lock centre-line to the bend of the 10mm lip.

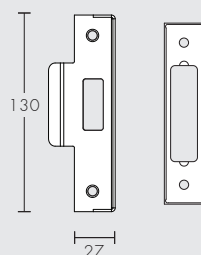
### Standard Strike



1015

### Rebated Strike Kit

Includes Latch Packer



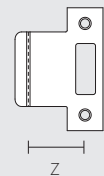
1018 A / B

## Extended Strikes

Extended strikes go beyond the standard length.

Z measurement available in 25, 30mm

Custom sizes are available on request (surcharge applies)



### Extended Strike

1016

### Extended Strike - Rebated

1019A / 1019B

## Extra Security Strike Packer

### 1039

Sits behind strikes fixed using 2 x 10G screws to add strength to the jamb holding the bolt.

