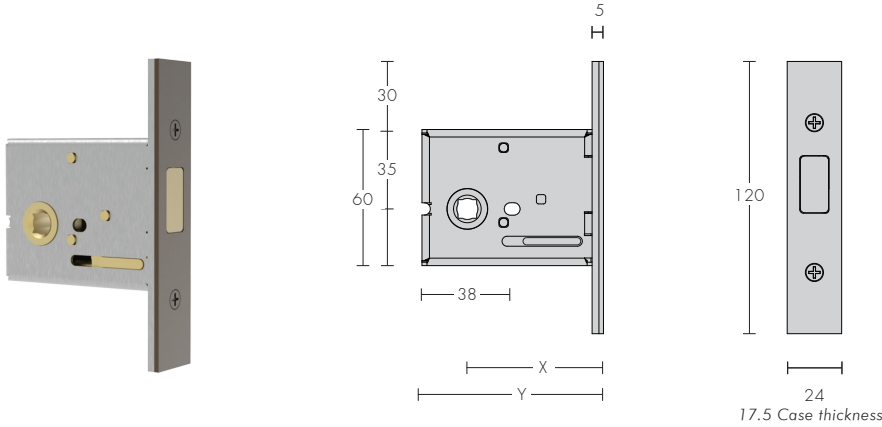


Mortise Magnetic Latches

Mortise latch products have been designed for all door types including narrow stile and allow for a consistent back plate length across the various functions of a project.

Designed and manufactured in New Zealand from 316 grade stainless steel and brass for corrosion resistance.

- Flush lock face, no latch bolt protruding suitable for swing through doors
- Flush door jamb, no visible strike lip or need for extended strikes
- 8mm square spindle hub
- Operable in either door rotation



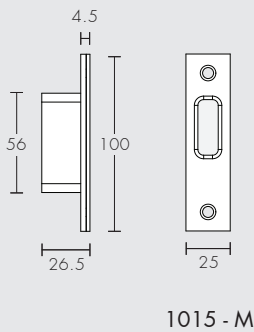
Heavy Duty (HD)

When these latches are to be used with unsprung lever handles.

Standard	HD	Backset X	Case Depth Y	Horizontal Fixing Centers
1012 - 60	1012 - 60 - HD	60	82	38 - 41mm
1012 - 70	1012 - 70 - HD	70	92	38 - 41mm

Strikes Options

Standard Strike 1.5mm Trim Plate



Rebated Strike Kit Includes Latch Packer

