

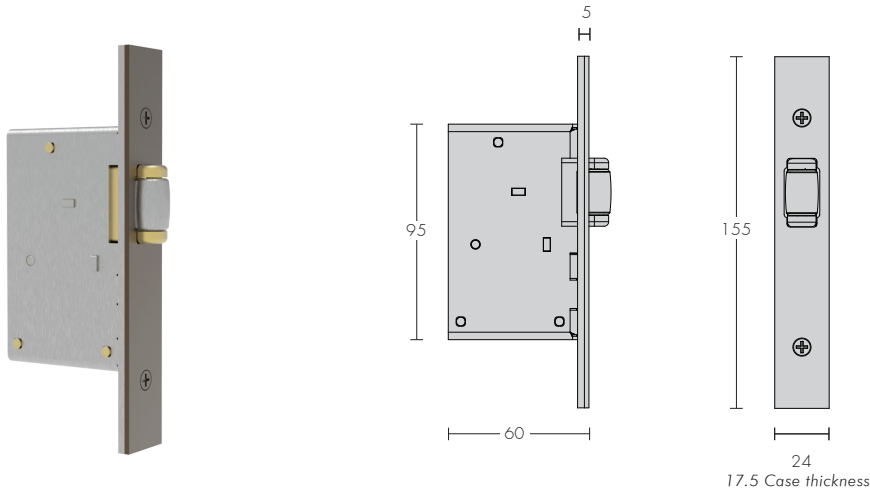
Mortise Roller Latch - 1060

Mortise lock products have been designed for all door types including narrow stile and allow for a consistent back plate length across the various functions of a project.

Designed and manufactured in New Zealand from 316 grade stainless steel and brass for corrosion resistance.

- Single turn, 15mm bolt throw
 - Minimal lever handle rotation of 40°
 - Roller adjustment for projection & pressure
- To assist in securing large and heavy doors, and doors subject to wind, yet allow free access through the door while unlocked.

Note: This product is not ideal in high wind areas



Strikes Options

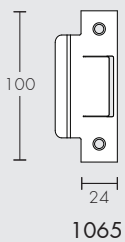
All strikes include strike dust boxes

Rebated strikes are handed to allow the lip to wrap around the edge of the jamb.

Standard strikes measure 20mm from the lock centre-line to the bend of the 10mm lip.

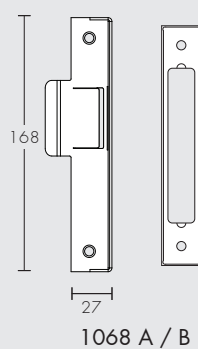
Standard Strike

Non Handed



Rebated Strike Kit

Includes Latch Packer



Extended Strikes

Extended strikes go beyond the standard length.

Z measurement available in 25, 30mm

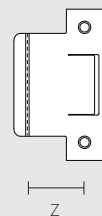
Custom sizes are available on request (surcharge applies)

Extended Strike

1066

Extended Strike - Rebated

1069A / 1069B



Extra Security Strike Packer

1039

Sits behind strikes fixed using 2 x 10G screws to add strength to the jamb holding the bolt.

