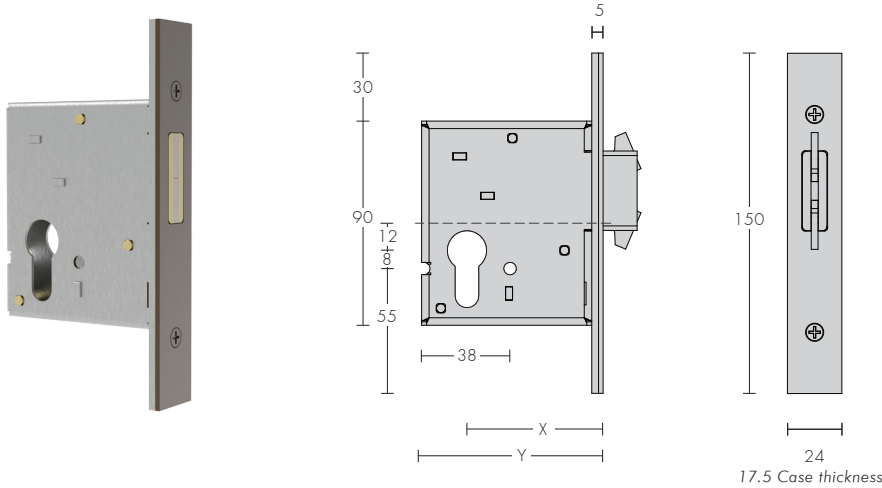


# Mortise Sliding Door Lock

Mortise SDL products have been designed for all door types including narrow stile and allow for a consistent back plate length across the various functions of a project.

- Single turn, 15mm bolt throw
- 8mm square spindle hub

Designed and manufactured in New Zealand from 316 grade stainless steel and brass for corrosion resistance.



### Privacy Turn Function (P)

These have an 8mm square hub fitted in place of a profile cylinder.

#### Standard

- 1040 - 35
- 1040 - 45
- 1040 - 60
- 1040 - 70

#### Privacy

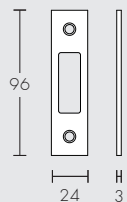
- 1040 - 35 - P
- 1040 - 45 - P
- 1040 - 60 - P
- 1040 - 70 - P

Backset X	Case Depth Y	Horizontal Fixing Centers
35	52	Plate Furniture
45	67	38 - 41mm
60	82	38 - 41mm
70	92	38 - 41mm

## Strikes Options

All strikes include strike dust boxes

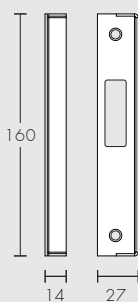
### Standard Strike



1035

### Rebated Strike Kit

Includes Lock Packer



1038 A / B

### Extra Security Strike Packer

1039

Sits behind strikes fixed using 2 x 10G screws to add strength to the jamb holding the bolt.



### Product Accessories

See **Product Accessories** for information on adjustable strikes and wraparound faceplates.