

Single Point Lock

The single point lock has been designed for applications requiring a single point locking system with either keyed or turn function.

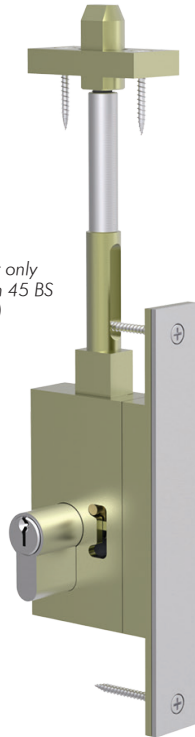
This product is suited to both sliding and hinged applications such as doors, windows, cupboards and various other applications due to its slim construction.

- Locks and components are made from 316 SS and brass for corrosion resistance
- Single turn, 15mm throw bolt
- Trim cover is made from 316 SS or brass and finished to the colour required.
- Custom backs set available upon request (surcharges apply).
- The cylinder is not included with this product, as it will be door specific. Please specify cylinder when ordering.

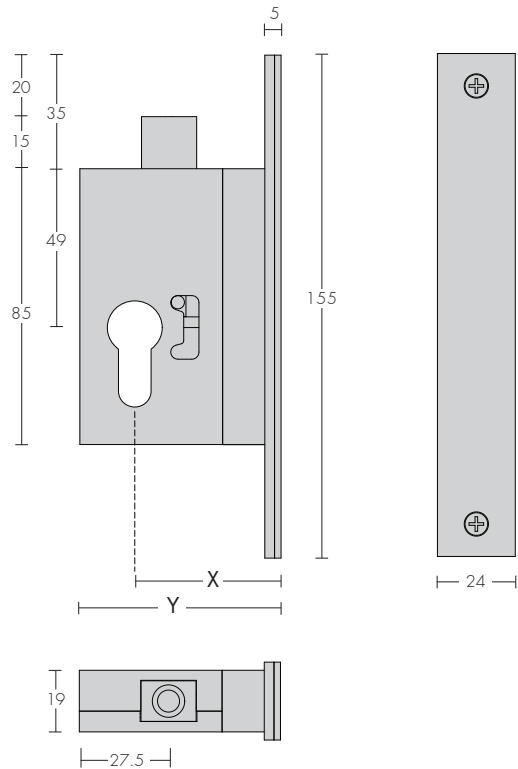
Guide plate needs to be specified when ordering (Timber version shown)

* Slotted rod joiner only supplied for less than 45 BS (Timber Only)

Cylinder is not included, please specify cylinder when ordering



Upward Bolt



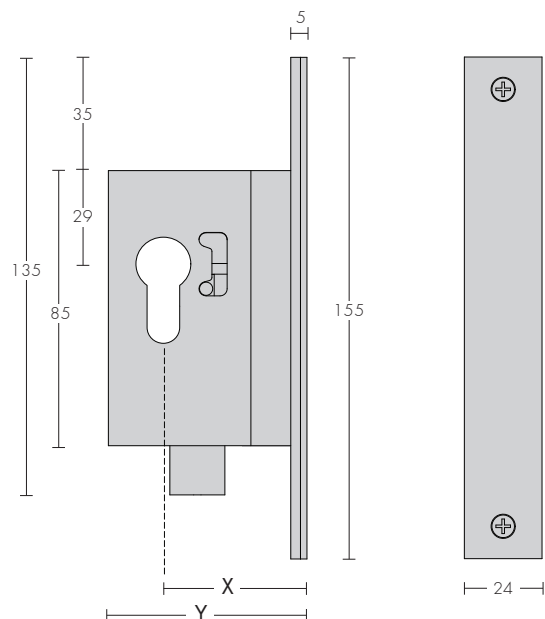
Upward Bolt

Standard	Backset X	Case Depth Y
1070 - 32 - A	32	49
1070 - 45 - A	45	62
1070 - 60 - A	60	77

Downward Bolt

Standard	Backset X	Case Depth Y
1070 - 32 - B	32	49
1070 - 45 - B	45	62
1070 - 60 - B	60	77

Downward Bolt



Strike & Guide Options

Visit the Bolt Strikes & Guides section for available options