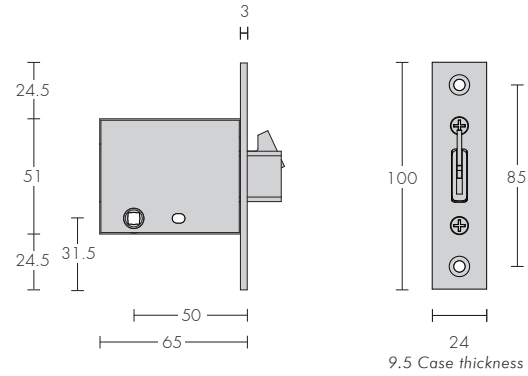


Narrow Lock

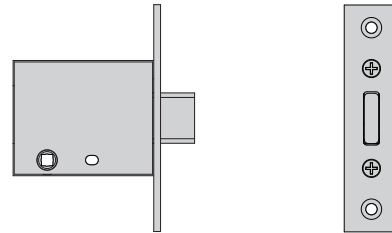
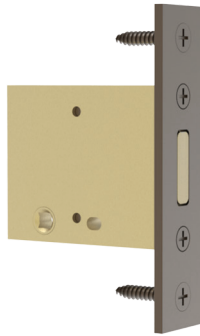
Designed with a narrow case of 9.5mm allowing to be used on thin door applications such as marine doors with turn escutcheons.

- 9.5mm case thickness
- 5mm square spindle hub
- 35 - 41mm centers

Sliding Door Lock 1647



Deadbolt 1646



Dimensions same as 1647

Strike - 1648

Can also be used with Chant narrow privacy lock

