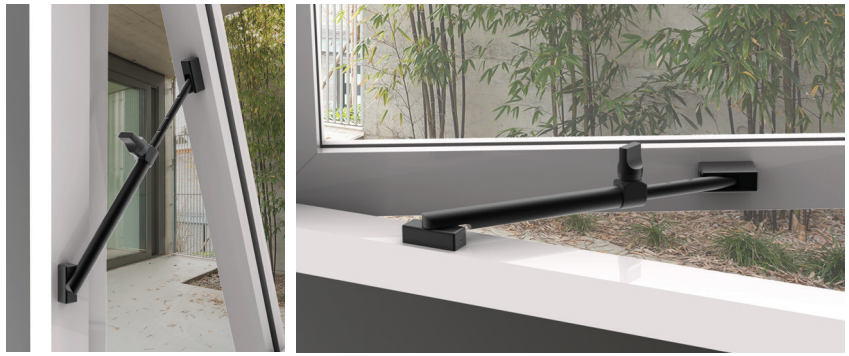


## Window Stays

- Minimal thumb turn rotation for lock & unlock
- Designed & manufactured in New Zealand
- Solid brass construction
- Concealed mounting
- Non Handed
- Suitable for casement & awning windows

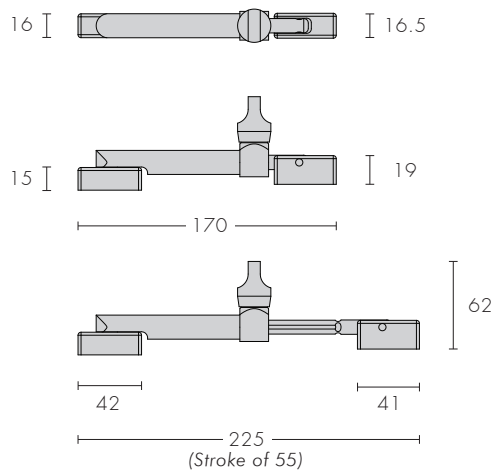


### Security Stay

4281

Limited 55mm stroke to limit window opening to 100mm when positioned correctly

(Required by some local body bylaws for upper story windows.)

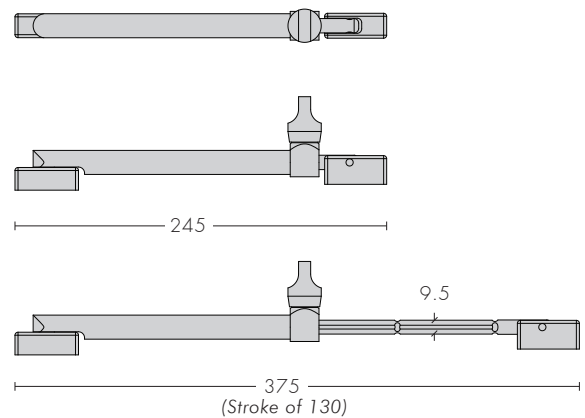


### Telescopic Stay

4285

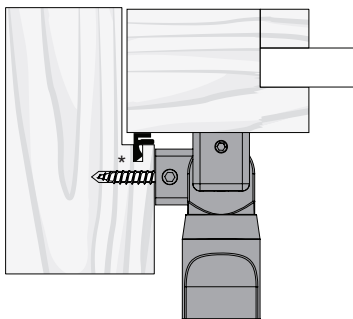
This stay would generally be used on windows up to 0.75 m<sup>2</sup>, e.g 1m x 0.75m wide.

(Telescopic stays are not recommended for use above ground level, the more appropriate product for that situation is a security stay.)

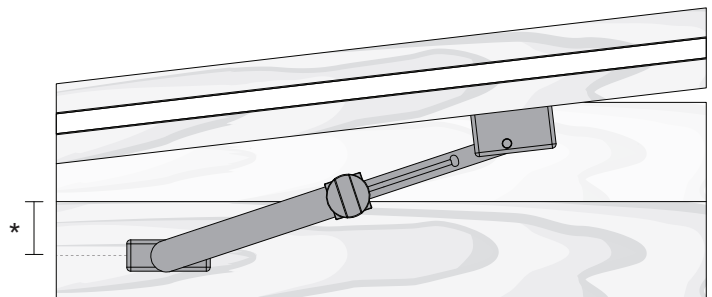


Dimension as per security stay only length increases

### Configuration Examples



Awning



Casement

\* Adjust this dimension to fasten to solid timber away from the weather seal groove if applicable.